

JVC

SERVICE MANUAL

COMPACT COMPONENT SYSTEM

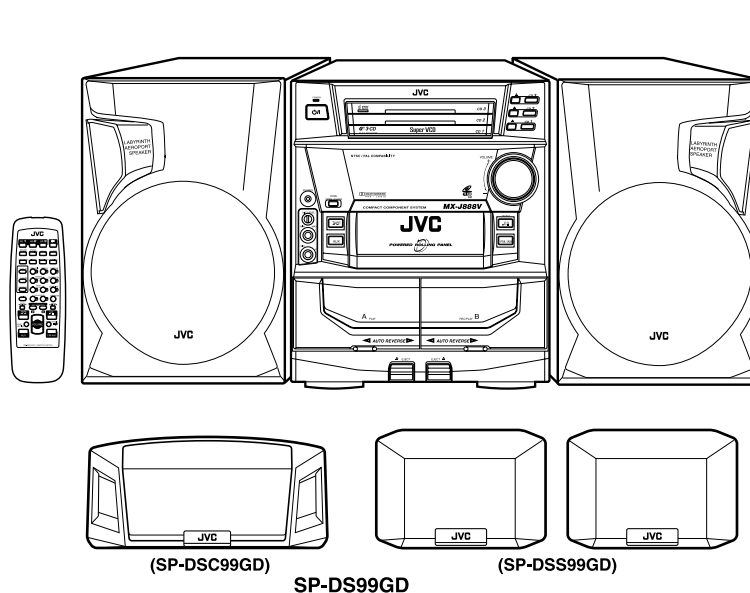
MX-J888V

Area Suffix

US Singapore

This model is a model to which the speaker unit design of MX-J787V which is the preceding model is changed. Therefore the service manual for this model is consisting of Parts list only.

For others, please refer to the service manual for MX-J777V/MX-J787V (issue No.20783).



PARTS LIST

[MX-J888V]

* All printed circuit boards and its assemblies are not available as service parts.

CA-MXJ888V/SP-MXJ888V/SP-DS99GD

Area suffix

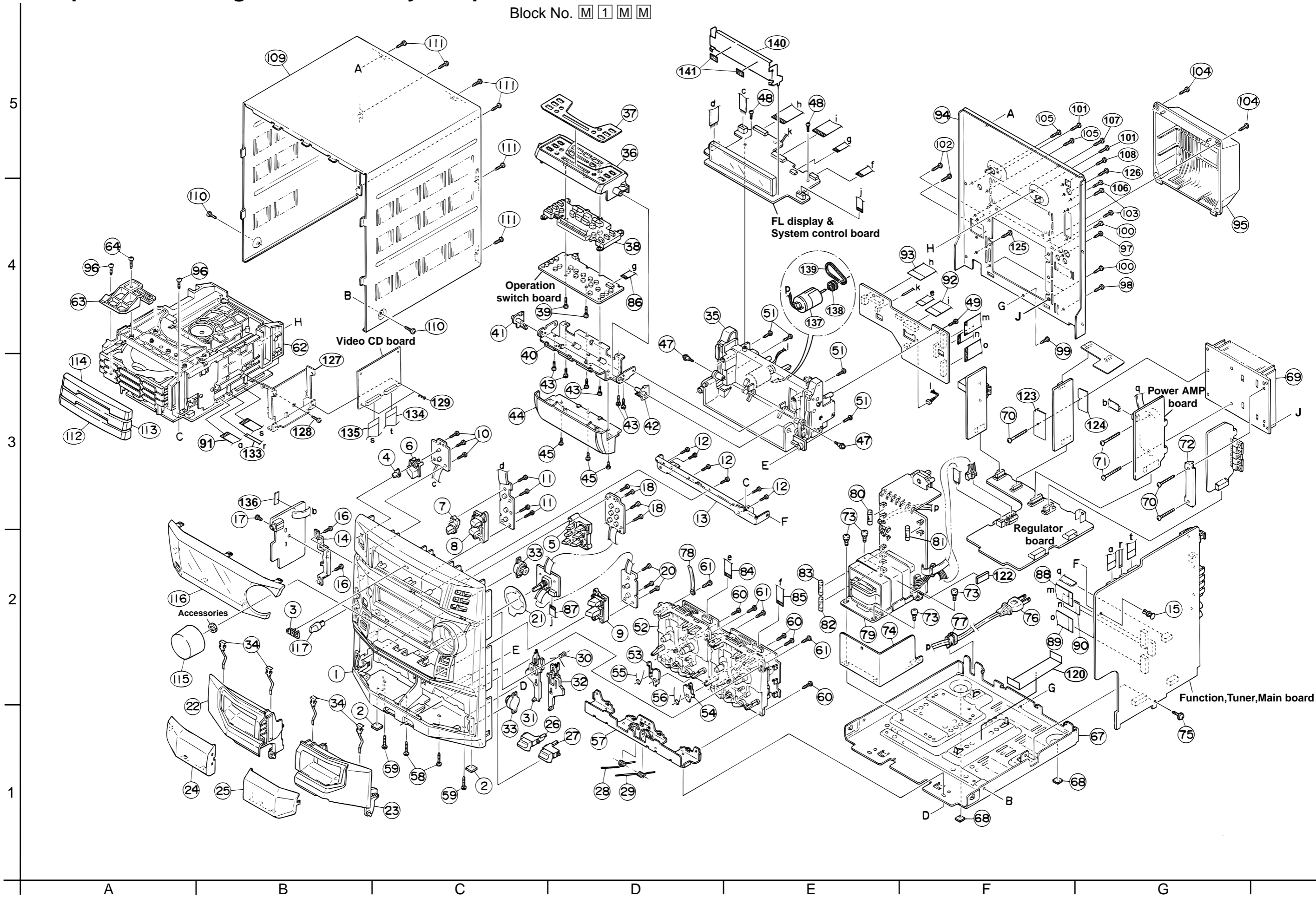
US ----- Singapore

- Contents -

Exploded view of general assembly and parts list	3-3
CD changer mechanism assembly and parts list	3-6
CD mechanism assembly and parts list	3-8
Cassette mechanism assembly and parts list	3-9
Electrical parts list	3-14
Packing materials and accessories parts list	3-31

Exploded view of general assembly and parts list

Block No. M 1 M M



■ Parts list (General assembly)

Block No. M1MM

△	Item	Parts number	Parts name	Q'ty	Description	Area
	1	GV10010-022A	FRONT PANEL	1		
	2	E75896-001	SPACER(FOOT)	2		
	3	VJD5429-001	JVC MARK	1		
	4	GV40016-001A	STBY.INDICATOR	1		
	5	GV30047-009A	CD BUTTON ASSY	1		
	6	GV30029-009A	POWER BUTTON	1	ON/STANDBY MARK	
	7	GV30045-005A	PUSH BUTTON	1		
	8	GV20033-001A	SOURCE BUTTON(A)	1		
	9	GV20034-001A	SOURCE BUTTON(B)	1		
	10	QYSDSF2608Z	SCREW	3	ON/STANDBY BRD.	
	11	QYSDSF2608Z	SCREW	4	AUX/TAPE S.BRD.	
	12	QYSDSF2608Z	SCREW	6	STY.BKT+F.PANEL	
	13	GV30030-001A	STAY BRACKET	1		
	14	GV40030-001A	PHONE BRACKET	1		
	15	FMYH4004-001	PLASTIC RIVET	1	MAIN BOARD&BKT.	
	16	QYSDSF2608Z	SCREW	2	PHONE BKT.+F.PN	
	17	QYSBST3006Z	T.SCREW	1	PHONE BKT.+BOARD	
	18	QYSDSF2608Z	SCREW	4	CD SWITCH BOARD	
	20	QYSDSF2608Z	SCREW	3	TUNER/CD S.BOARD	
	21	GV40043-001A	VOLUME SHEET	1		
	22	GV20022-003A	CASS.HOLDER(L)	1		
	23	GV20023-003A	CASS.HOLDER(R)	1		
	24	GV20024-001A	CASS.LENS(L)	1		
	25	GV20025-001A	CASS.LENS(R)	1		
	26	GV30026-005A	EJECT BUTTON(A)	1		
	27	GV30027-005A	EJECT BUTTON(B)	1		
	28	FMKW4009-001	HOLDER SPRING(A)	1		
	29	FMKW4010-001	HOLDER SPRING(B)	1		
	30	FMKW4011-001	SPRING	1	FOR EJECT LEVER	
	31	FMKS3002-003	EJECT LEVER(A)	1		
	32	FMKS3003-003	EJECT BUTTON(B)	1		
	33	GV40034-001A	DAMPER ASSY	2		
	34	VKY4180-401	CASSETTE SPRING	4		
	35	GV10014-005A	CASE ASSY	1		
	36	GV30039-007A	MOVING PANEL(A)	1		
	37	GV30040-027A	CONTROL SHEET	1		
	38	GV30041-013A	CONT.BTN.ASSY	1		
	39	QYSDSF2608Z	SCREW	2		
	40	GV30042-002A	PANEL BRACKET	1		
	41	GV40028-001A	PANEL HOLDER(L)	1		
	42	GV40028-002A	PANEL HOLDER(R)	1		
	43	QYSDSF2608Z	SCREW	6		
	44	GV30043-007A	MOVING PANEL(B)	1		
	45	QYSBST2606Z	T.SCREW	3		
	47	VKZ4341-204	SPECIAL SCREW	2		
	48	QYSDSF2608Z	SCREW	2	MICOM BRD./CASE	
	49	QYSDSF2608Z	SCREW	1	CONN.BRD./CASE	
	51	QYSSSF3012Z	TAP SCREW	4	MOVING PNL./F.PNL	

■ Parts list (General assembly)

Block No. M1MM

△	Item	Parts number	Parts name	Q'ty	Description	Area
	52	-----	CASSETTE MECHA	1		
	53	FMKL4012-004	EJECT SAFETY(A)	1		
	54	FMKL4013-001	EJECT SAFETY(B)	1		
	55	FMKW4007-001	SPRING (A)	1	EJECT SAFETY(A)	
	56	FMKW4008-001	SPRING (B)	1	EJECT SAFETY(B)	
	57	GV20030-001A	HOLDER BRACKET	1		
	58	QYSBSG3010E	T.SCREW	2	F.P.TO H.BRKT.	
	59	QYSBSG3010E	T.SCREW	2	F.P.TO CHS.BASE	
	60	QYSBSG3010Z	T.SCREW	4	MECHA & H.BRKT.	
	61	QYSBSF3010Z	SCREW	4	MECHA & F.PANEL	
	62	-----	3VCD MECHA	1		
	63	E309662-001SM	DISC STOPPER	1		
	64	QYSBSF3008Z	SCREW	1	FOR DISC STOPPER	
	67	GV10011-001A	CHASSIS BASE	1		
	68	E75896-006	FELT SPACER	2	CHAS.BASE FOOT	
△	69	GV30044-002A	HEAT SINK	1		
	70	QYSBSG3014E	T.SCREW	3		
	71	QYSBSG3020E	TAP SCREW	2		
	72	GV40029-001A	LEAF SPRING	1		
	73	QYSDSTL4008Z	SPECIAL SCREW	4		
	74	LE30469-001A	TRANS SHIELD	1		
	75	QYSBSGG3008E	T.SCREW	1	M.BOARD & C.BASE	
△	76	QMPK090-205-JN	POWER CORD	1		
	77	QZW0033-001	STRAIN RELIEF	1		
	78	VKZ4001-110S	WIRE HOLDER	1		
△	79	QQT0250-003	POWER TRANSFORMER	1	T001	
△	80	QMF51E2-2R5-J1	FUSE	1	F001	
△	81	QMF51E2-1R25-J1	FUSE	1	F003	
△	82	QMF51E2-3R15-J1	FUSE	1	F101	
△	83	QMF51E2-3R15-J1	FUSE	1	F102	
	84	QUQ412-1014CJ	FFC WIRE	1	FC854	
	85	QUQ412-1115DJ	FFC WIRE	1	FC803	
	86	QUQ610-0915BJ	FFC WIRE	1	FC921	
	87	QUQ412-1012CJ	FFC WIRE	1	FC971	
	88	QUQ412-2109CJ	FFC WIRE	1	FC857	
	89	QUQ412-2109CJ	FFC WIRE	1	FC855	
	90	QUQ412-1712CJ	FFC WIRE	1	FC856	
	91	QUQB10-1915BJ	FFC WIRE	1	FC410	
	92	QUQ412-2112CJ	FFC WIRE	1	FC801	
	93	QUQ412-2308CJ	FFC WIRE	1	FC802	
	94	GV10013-061A	REAR PANEL	1		
	95	E207356-002SM	REAR COVER	1		
	96	QYSBSG3008Z	T.SCREW	2	C3&STAY BRACKET	
	97	QYSBSGY3008E	SPECIAL SCREW	1	AUX/REAR PANEL	
	98	QYSBSGY3008E	SPECIAL SCREW	1	E.PLATE/R.PANEL	
	99	QYSBSGY3008E	SPECIAL SCREW	1	R.PANEL/C.BASE	
	100	QYSBSGY3008E	SPECIAL SCREW	4	H.SINK/R.PANEL	
	101	QYSBSGY3008E	SPECIAL SCREW	2	C3/REAR PANEL	

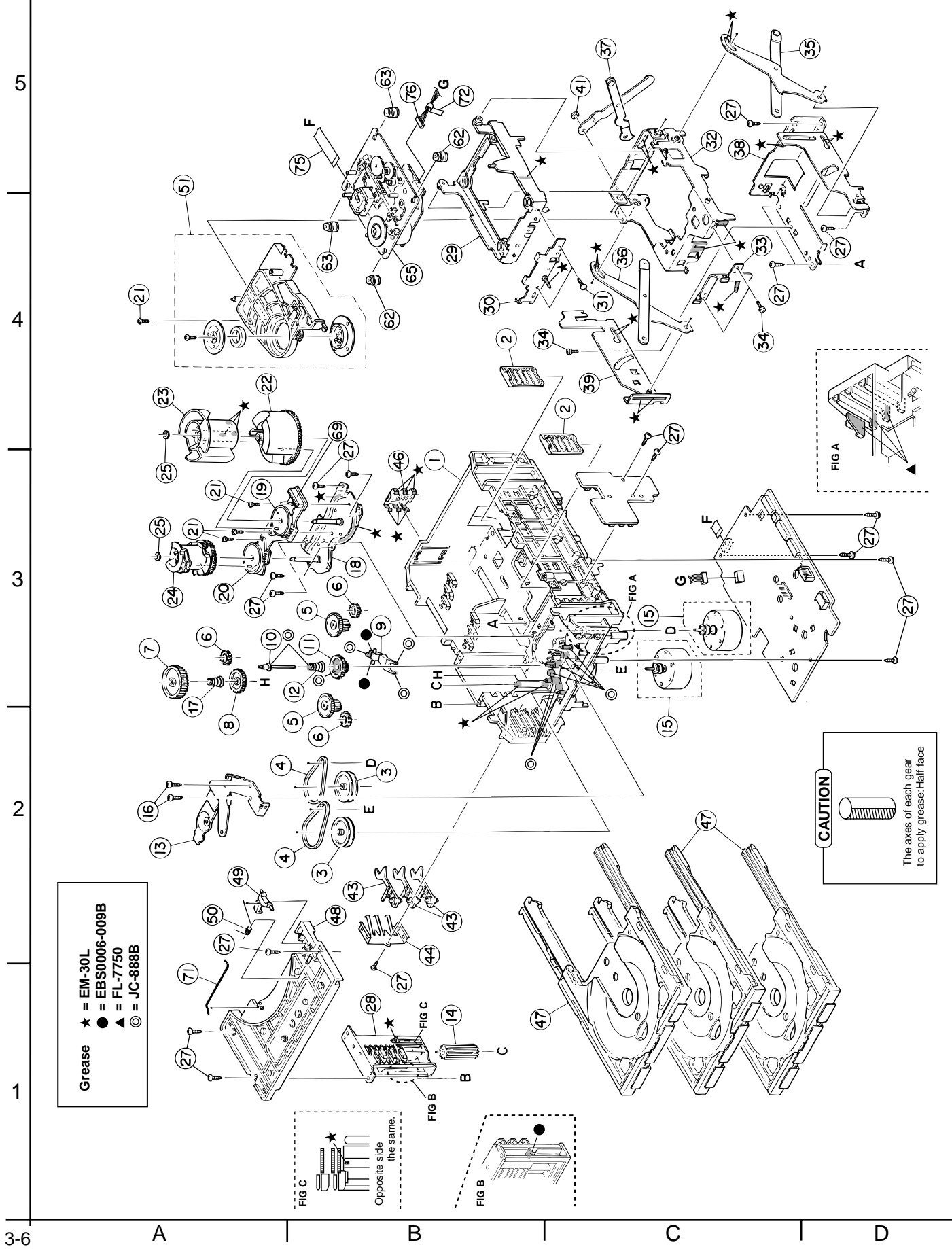
Parts list (General assembly)
Block No. M1MM

△	Item	Parts number	Parts name	Q'ty	Description	Area
	102	QYSBSGY3008E	SPECIAL SCREW	2	SPK.TEM./R.PANEL	
	103	QYSBSGY3008E	SPECIAL SCREW	2	ANTENA/R.PANEL	
	104	QYSBSGY3008E	SPECIAL SCREW	2	R.COVER/R.PANEL	
	105	QYSBSF3012E	SPECIAL SCREW	2	VOL.SEL/R.PANEL	
	106	QYSBSGY3008E	SPECIAL SCREW	1	GROUND/R.PANEL	
	107	QYSBSGY3008E	SPECIAL SCREW	1	SUBWOOFER/R.PANEL	
	108	QYSBSGY3008E	SPECIAL SCREW	1	OPTICAL/R.PANEL	
	109	GV10012-005A/S/	METAL COVER	1		
	110	QYSDSG3006N	T.SCREW	2	M.COVER+C.BASE	
	111	QYSBSGY3008E	SPECIAL SCREW	6	M.COVER+R.PANEL	
	112	GV30033-007A	CD FITTING	1	DISC 1	
	113	GV30034-005A	CD FITTING	1	DISC 2	
	114	GV30035-007A	CD FITTING	1	DISC 3	
	115	GV30028-003A	M.VOL.KNOB	1		
	116	GV20026-019A	WINDOW SCREEN	1		
	117	GV40017-004A	MIC.VOL. KNOB	1		
	120	GV40048-001A	PROTECT SHEET(A)	1		
	122	FMYSH103-003	SPACER	1		
	123	FMKL4007-001	BRACKET	1		
	124	FMPK4003-001T	MICA SHEET	1		
	125	QYSBSGY3008E	SPECIAL SCREW	1	PROLOGIC/R.PANEL	
	126	QYSBSGY3008E	SPECIAL SCREW	1	VIDEO OUT/REAR PANEL	
	127	LV30830-002A	BRACKET	1		
	128	QYSBSF3008Z	SCREW	1	BRACKET/CHANGER	
	129	E310243-002	PLASTIC RIVET	2		
	133	QUQB10-0513BJ	FFC WIRE	1	FC419	
	134	QUQ410-1913CJ	FFC WIRE	1	FC420	
	135	QUQ410-2306CJ	CARD WIRE	1	FC151	
	136	FMYSH103-004	SPACER	1	STICK TO MIC BOARD	
	137	MXN-13FB12F	DC MOTOR	1		
	138	GV40022-001A	MOTOR PULLEY	1		
	139	GV30038-001A	CAPSTAN BELT	1		
	140	GV30032-001A	FL HOLDER	1		
	141	E3400-439	FELT SPACER	2		

CD changer mechanism assembly and parts list

SVC3-3M

Block No. M 2 M M



Grease

- ★ = EM-30L
- = EBS0006-009B
- ▲ = FL-7750
- ◎ = JC-888B

CAUTION

The axes of each gear to apply grease: Half face

FIG C

Opposite side the same.

FIG B

Parts list (CD changer mechanism)

Block No. M2MM

△	Item	Parts number	Parts name	Q'ty	Description	Area
	1	VKS1144-004	CHASSIS	1		
	2	VKS3698-003	TRAY GUIDE	2		
	3	VKS5532-003	PULLEY GEAR	2		
	4	VKB3000-164	BELT	2		
	5	VKS5505-003	GEAR B	2		
	6	VKS5506-002	GEAR C	3		
	7	VKS5507-002	CROSS GEAR U	1		
	8	VKS5508-002	CROSS GEAR L	1		
	9	VKS5510-003	SELECT LEVER	1		
	10	VKH5769-001	S.G.SHAFT	1		
	11	VKS5511-002	SELECT GEAR	1		
	12	VKW5155-003	COMP.SPRING	1	FOR SELECT GEAR	
	13	VKM3846-002	GEAR BRACKET	1		
	14	VKS5509-002MM	CYLINDER GEAR	1		
	15	MSN5D257A-SA2	D.C.MOTOR ASS'Y	2		
	16	QYSPSPD2616Z	SCREW	2	FOR MOTOR	
	17	LV40612-001A	COMP.SPRING	1		
	18	VKM3825-00B	C.G.BASE ASS'Y	1		
	19	VKZ3172-00ASS	CAM SW. R ASS'Y	1		
	20	VKZ3173-00ASS	CAM SW. L ASS'Y	1		
	21	QYSPST2606Z	SCREW	4		
	22	VKS2263-002MM	CAM R1	1		
	23	VKS2264-002MM	CAM R2	1		
	24	VKS2265-002MM	CAM GEAR L	1		
	25	WDL316050MM	SLIT WASHER	2		
	27	QYSBSF2608Z	T.SCREW	18	FOR C.GEAR BASE	
	28	VKS3702-00FMM	DRIVE UNIT	1		
	29	VKS2247-004	MECHA HOLDER A	1		
	30	VKL7767-00D	BRACKET ASS'Y	1		
	31	QYSBSF2606Z	SCREW	2	FOR BRACKET	
	32	VKM3860-00C	M.HOLDER B AS'Y	1		
	33	VKL7802-00D	M.HOLDER C AS'Y	1		
	34	QYSDST2604Z	SCREW	3		
	35	VKL7810-00B	LIFTER ASS'Y R	1		
	36	VKL7811-00B	LIFTER ASS'Y L	1		
	37	VKL7812-00B	LIFTER ASS'Y H	1		
	38	VKL2732-003	LIFTER BASE	1		
	39	VKM3857-002	LIFTER BRACKET	1		
	41	WDL266035-2	SLIT WASHER	1		
	43	VKS5514-002MM	LOCK LEVER	3		
	44	VKY3133-002MM	RETURN SPRING	1		
	46	VKY3134-003MM	CLICK SPRING	1		
	47	VKS2252-00E	TRAY ASS'Y	3		
	48	VKS2250-003	TOP BRACKET	1		
	49	VKS5515-002	S.TRAY STOPPER	1		
	50	VKW5156-004	TORSION SPRING	1		
	51	VKS3703-00G	CLAMPER ASS'Y	1		
	62	LV40866-002A	INSULATOR	2		
	63	LV40761-003A	INSULATOR	2		
	65	-----	CD MECHA	1		
	69	QGB2021L1-10	CONNECTOR	1		
	71	VKW5187-001	ROD	1		
	72	VYSA1R2-033	SPACER	1	FOR EWS176-008	
	75	QUQ610-1509AJ	FFC WIRE	1	TRAVERSE 15	
	76	EWS176-008	FLAT WIRE	1	TRAVERSE 6	

CD mechanism assembly and parts list

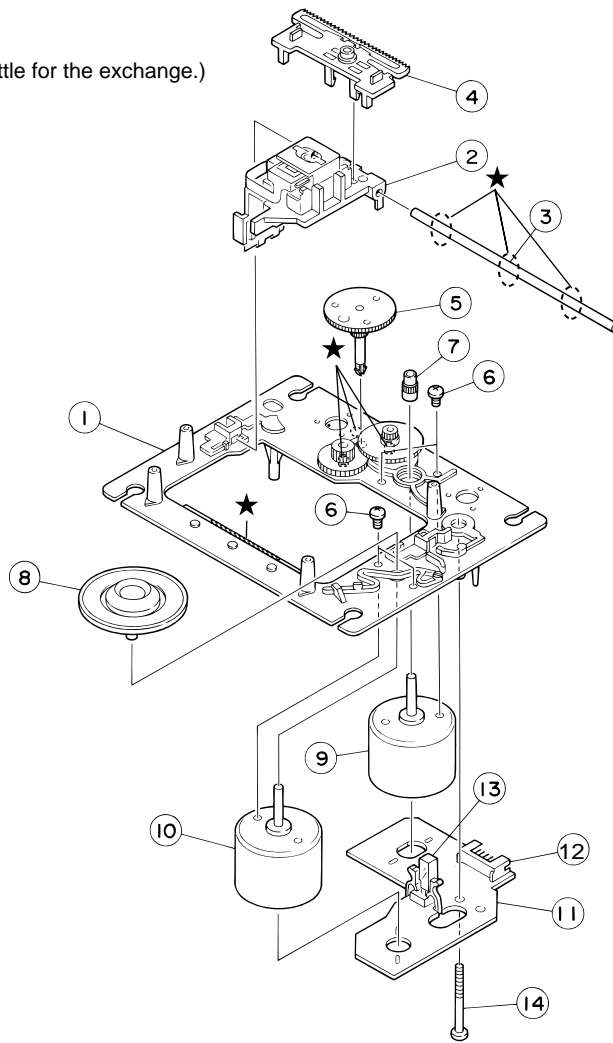
Block No. M 3 M M

Grease Point
 ★ = EBS0006-013B
 (Grease to apply have to be a little for the exchange.)

3

2

1



EXL-M7TMB

A

B

C

Parts list (CD mechanism)

Block No. M3MM

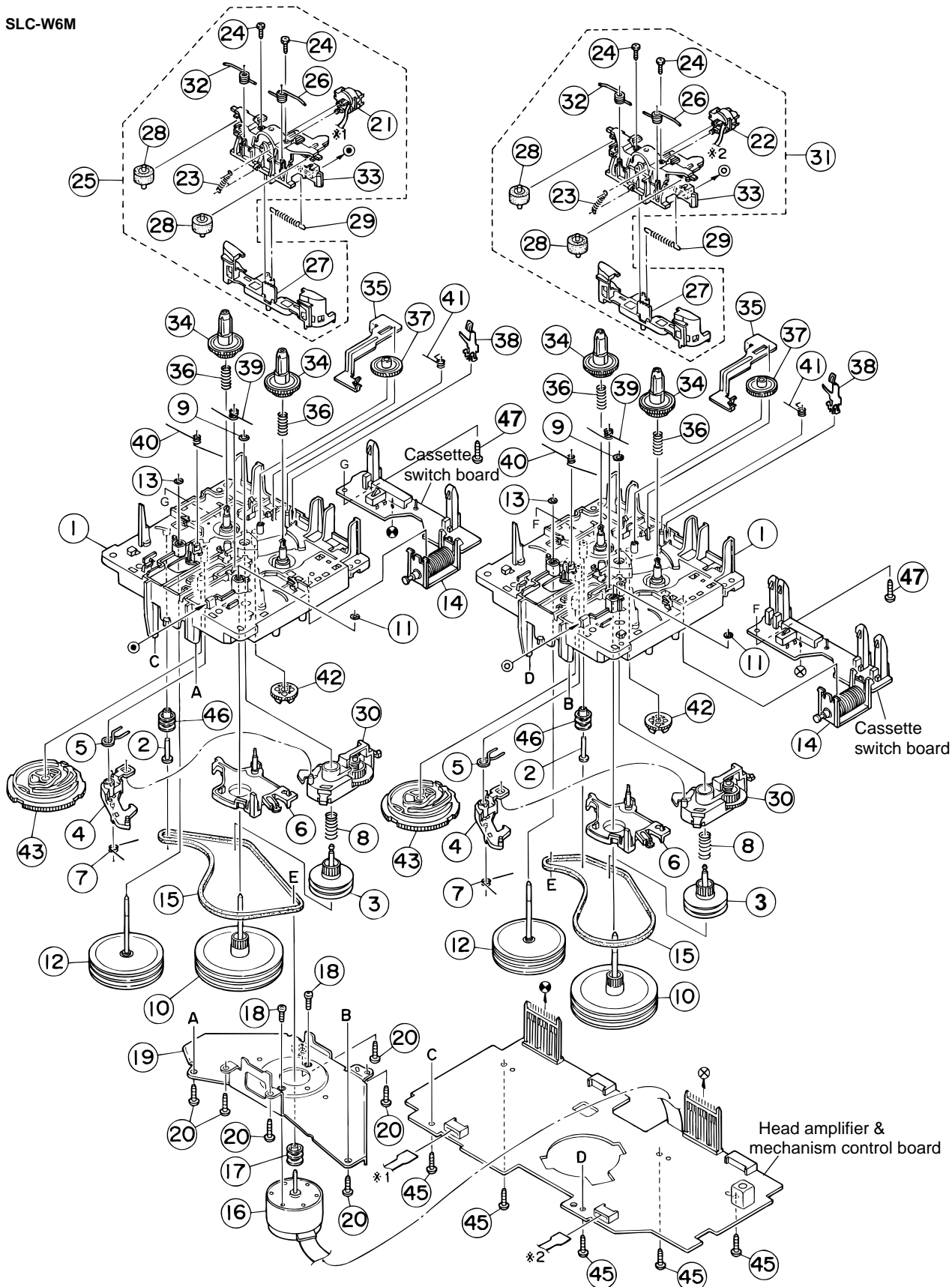
△	Item	Parts number	Parts name	Q'ty	Description	Area
	1	E102731-221SM	CD MECHA BASE	1		
	2	OPTIMA-7B	CD PICK	1		
	3	E406777-002SM	CD SHAFT	1		
	4	LV31002-001A	CD RACK	1		
	5	E307745-441SM	CD GEAR 3	1		
	6	QYSDSP2003N	SCREW	4		
	7	E406750-442SM	PINION	1		
	8	EPB309173PKA	TURN TABLE	1		
	9	E406784-001	FEED MOTOR	1		
	10	QAR0130-001	SP MOTOR	1		
	11	EMW10190-441	CIR BOARD	1		
	12	QGA2001F1-06	6P PLUG ASSY	1		
	13	QSW0506-001	LEAF SW	1		
	14	E75832-221SS	SPECIAL SCREW	1		

Cassette mechanism assembly and parts list

Block No. M 4 M M

SLC-W6M

5
4
3
2
1



■ Parts list (Cassette mechanism)

Block No. M4MM

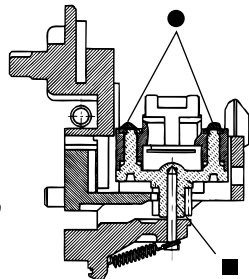
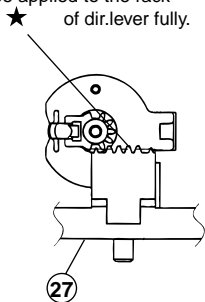
△	Item	Parts number	Parts name	Q'ty	Description	Area
	1	VKS1165-00H	CHASSIS B.ASS'Y	2		
	2	VKH5786-002	SHAFT	2		
	3	VKS5603-00D	MAIN PULLEY ASY	2		
	4	VKS3785-001MM	FR ARM	2		
	5	VKW5284-002	SWING SPRING	2		
	6	VKS2278-003	TRIGGER ARM	2		
	7	VKW5301-001	FR SPRING	2		
	8	VKW5266-001	ELEVATOR SPRING	2		
	9	WDL214025	WASHER	2		
	10	VKF3205-00B	F.WHEEL ASSY(R)	2		
	11	WDL183425	SLIT WASHER	2		
	12	VKF3207-00B	F.WHEEL ASSY(L)	2		
	13	WDL173525-6	SLIT WASHER	2		
	14	VKZ3174-00A	DC SOLENOID	2		
	15	VKB3000-182	CAPSTAN BELT(B)	2		
	16	MSI-5U2LWA	D.C.MOTOR ASS'Y	1		
	17	VKR4761-001	MOTOR PULLEY	1		
	18	QYSPSP2604Z	SCREW	2		
	19	VKM3907-001	JOINT BRACKET	1		
	20	QYSBSF2608Z	T.SCREW	6		
	21	LV41090-001A	P.B.HEAD	1		
	22	LV41089-001A	R/P&E HEAD	1		
	23	VKW5302-001	HEAD SPRING	2		
	24	VKZ4730-001	SPECIAL SCREW	4		
	25	VKS2279-00D	HEAD MOUNT ASSY	1		
	26	VKW5299-002	PIN ROL.SP.(R)	2		
	27	VKS2277-005	DIRECTION LEVER	2		
	28	VKP4233-00A	PINCH ROL. ASSY	4		
	29	VKW5285-001	RETURN SPRING	2		
	30	VKS3786-00G	CLUTCH ASS'Y	2		
	31	VKS2275-00D	HEAD MOUNT ASSY	1		
	32	VKW5300-002	PIN ROL.SP.(L)	2		
	33	VKS1167-001	HEAD MOUNT BASE	2		
	34	VKS2274-002	REEL GEAR	4		
	35	VKM3906-003	PLAY SW LEVER	2		
	36	VKW5286-002	B.T. SPRING	4		
	37	VKS5559-001	PLAY IDLE GEAR	2		
	38	VKY3149-002	CASSETTE SP.	2		
	39	VKW5279-001	HEAD BASE SP(R)	2		
	40	VKW5280-001	HEAD BASE SP(L)	2		
	41	VKW5296-001	EARTH SPRING	2		
	42	VKS5597-00A	BLIND	2		
	43	VKS1166-003	CONTROL CAM	2		
	45	QYSBSF2608Z	T.SCREW	5	FOR P.W.B.	
	46	VKR4749-002	IDLE PULLEY	2		
	47	QYSBSF2006Z	SCREW	2		

Grease point

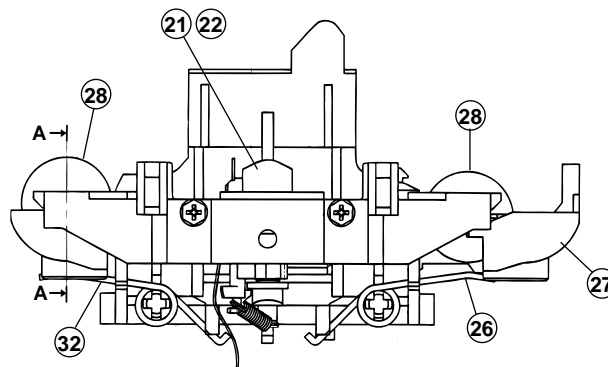
- | Grease | |
|--------|-----------|
| ★ | =JC-525 |
| ■ | =FL-7750 |
| ▲ | =UD-24 |
| △ | =UD-24H2 |
| ● | =LX-1349B |
| ◎ | =MOBIL-1 |

5

Should be applied to the rack of dir.lever fully.

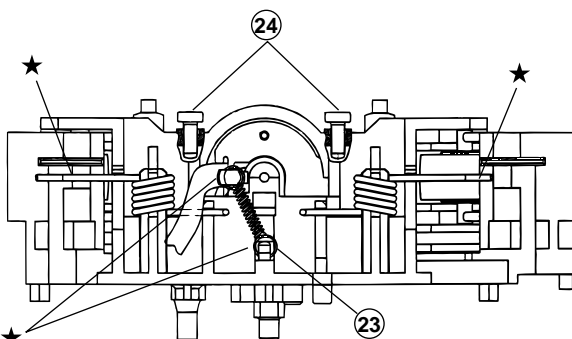


Between head holder and shaft.

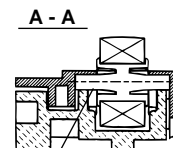


4

3

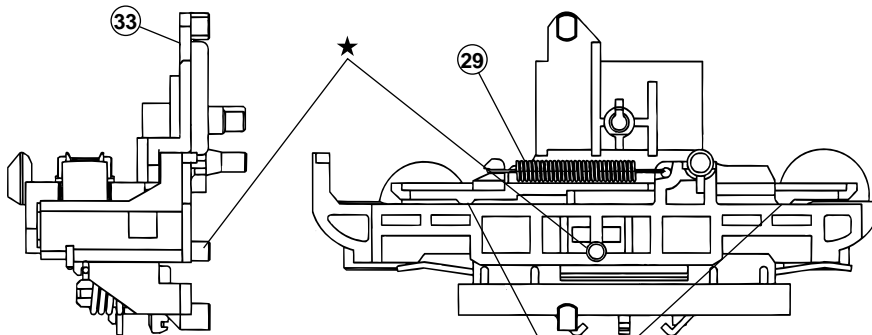


Between head holder and spring's hook.



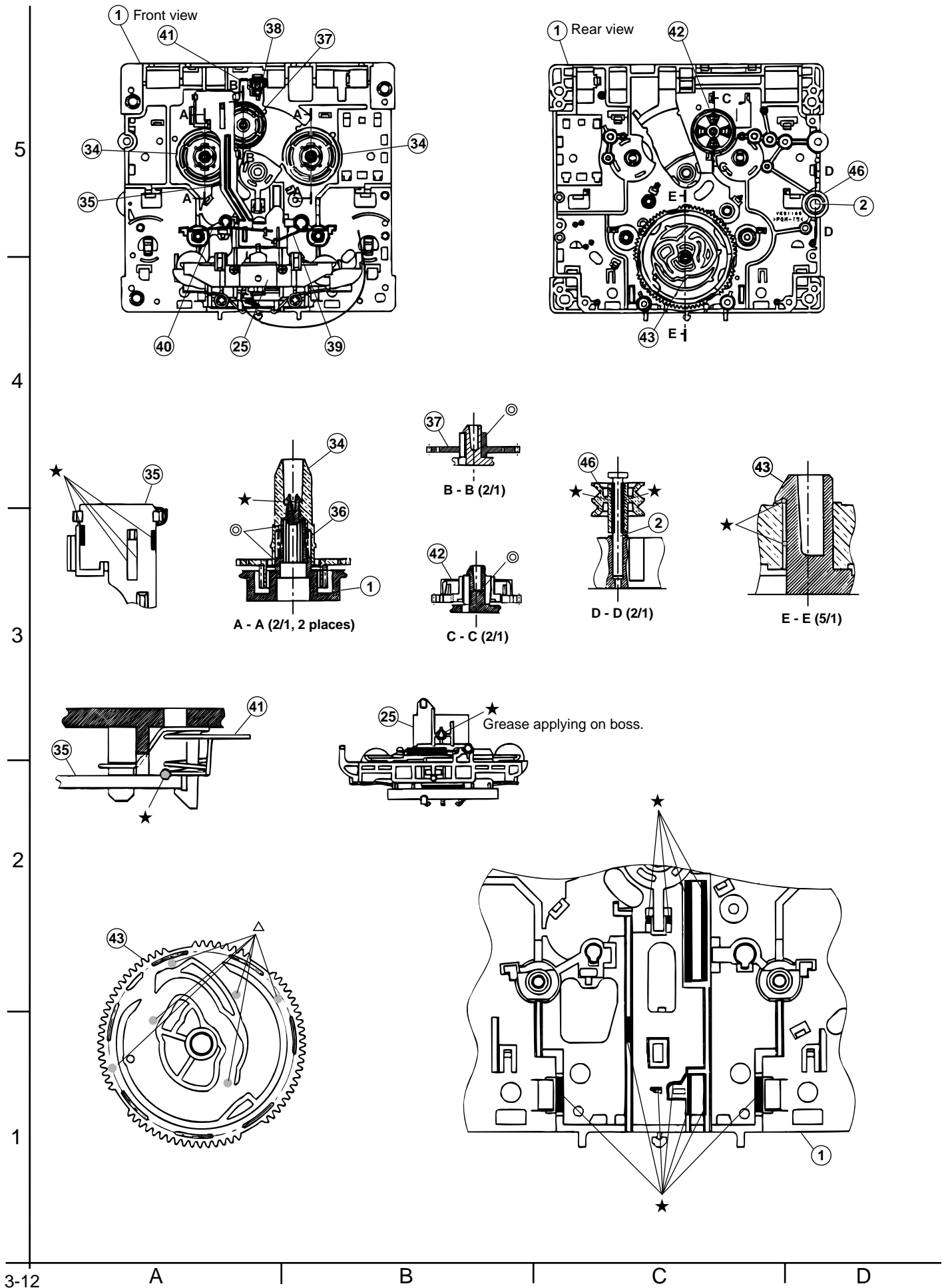
Apply oil to the shaft of pinch roller on both sides before assembly.

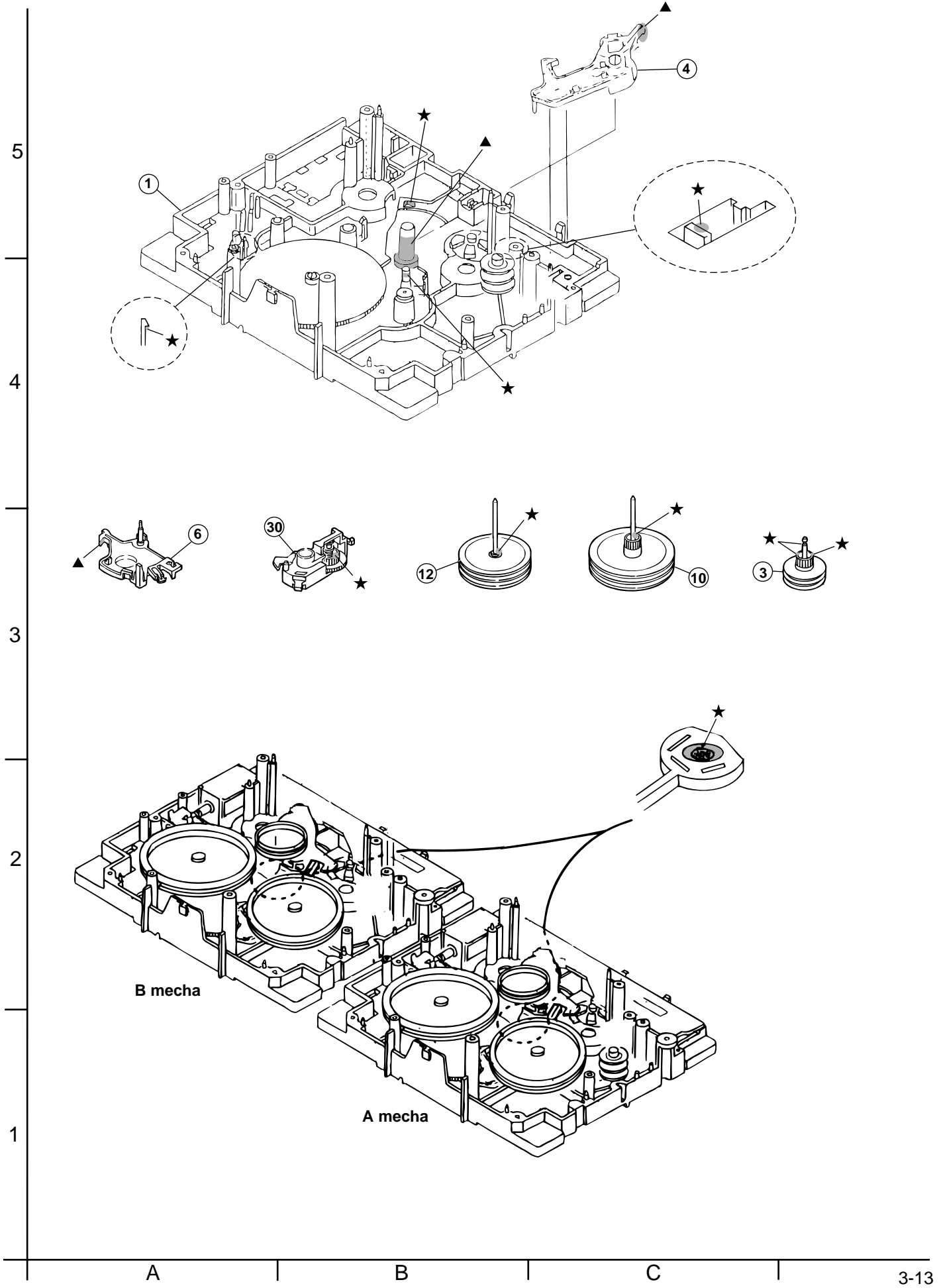
2



★ Between direction lever and head mount base.

1





Electrical parts list

■ Electrical parts list (Function,Tuner,Main board)
Block No. 01

△	Item	Parts number	Parts name	Remarks	Area	△	Item	Parts number	Parts name	Remarks	Area
	C 1	QCBB1HK-223Y	C CAPACITOR	.022MF 10% 50V			C 373	QDYB1CM-103Y	C CAPACITOR		
	C 3	QCBB1HK-473Y	C CAPACITOR	.047MF 10% 50V			C 380	EETC1HM-224ZJC	E CAPACITOR		
	C 4	QDYB1CM-103Y	C CAPACITOR				C 381	QCFB1HZ-104Y	C CAPACITOR	.10MF +80:-20%	
	C 5	EETC1CM-476ZJC	E CAPACITOR				C 382	QCFB1HZ-104Y	C CAPACITOR	.10MF +80:-20%	
	C 10	EETC1HM-474ZJC	E CAPACITOR				C 383	EETC1EM-476ZJC	E CAPACITOR		
	C 12	QCSB1HJ-100Y	C CAPACITOR	10PF 5% 50V			C 385	EETC1HM-105ZJC	E CAPACITOR		
	C 13	QFLM1HJ-473Z	M CAPACITOR	.047MF 5% 50V			C 386	QDGB1HK-681Y	C CAPACITOR		
	C 14	QCBB1HK-473Y	C CAPACITOR	.047MF 10% 50V			C 387	QFLM1HJ-153Z	M CAPACITOR	.015MF 5% 50V	
	C 18	QCBB1HK-471Y	C CAPACITOR	470PF 10% 50V			C 388	QDXB1CM-182Y	C CAPACITOR		
	C 19	QCBB1HK-471Y	C CAPACITOR	470PF 10% 50V			C 389	QCS11HJ-330	C CAPACITOR	33PF 5% 50V	
	C 20	EETC1HM-226ZJC	E CAPACITOR				C 390	EETC1HM-224ZJC	E CAPACITOR		
	C 21	QCBB1HK-473Y	C CAPACITOR	.047MF 10% 50V			C 398	QFLM1HJ-103Z	M CAPACITOR	.010MF 5% 50V	
	C 22	QFVJ1HJ-274Z	MF CAPACITOR	.27MF 5% 50V			C 399	QFLM1HJ-103Z	M CAPACITOR	.010MF 5% 50V	
	C 23	EETC1HM-105ZJC	E CAPACITOR				C 401	QFLM1HJ-222Z	M CAPACITOR	2200PF 5% 50V	
	C 24	EETC1HM-226ZJC	E CAPACITOR				C 402	QFLM1HJ-222Z	M CAPACITOR	2200PF 5% 50V	
	C 25	QFLM1HJ-273Z	M CAPACITOR	.027MF 5% 50V			C 403	QFLM1HJ-102Z	M CAPACITOR	1000PF 5% 50V	
	C 26	EETC1EM-106ZJC	E CAPACITOR				C 404	QFLM1HJ-102Z	M CAPACITOR	1000PF 5% 50V	
	C 27	EETC1HM-105ZJC	E CAPACITOR				C 407	QETN1HM-106Z	E CAPACITOR	10MF 20% 50V	
	C 28	EETC1HM-105ZJC	E CAPACITOR				C 408	QETN1HM-106Z	E CAPACITOR	10MF 20% 50V	
	C 29	QFLM1HJ-152Z	M CAPACITOR	1500PF 5% 50V			C 411	EETC1EM-106ZJC	E CAPACITOR		
	C 30	QFLM1HJ-152Z	M CAPACITOR	1500PF 5% 50V			C 412	EETC1EM-106ZJC	E CAPACITOR		
	C 31	QCSB1HJ-560Y	C CAPACITOR	56PF 5% 50V			C 413	QCBB1HK-221Y	C CAPACITOR	220PF 10% 50V	
	C 32	QDGB1HK-102Y	C CAPACITOR				C 414	QCBB1HK-221Y	C CAPACITOR	220PF 10% 50V	
	C 33	QCBB1HK-473Y	C CAPACITOR	.047MF 10% 50V			C 415	EETC1EM-106ZJC	E CAPACITOR		
	C 34	EETC1HM-474ZJC	E CAPACITOR				C 416	EETC1EM-106ZJC	E CAPACITOR		
	C 35	QDYB1CM-103Y	C CAPACITOR				C 417	QKCC1HM-225Z	E CAPACITOR	2.2MF 20% 50V	
	C 36	EETC1HM-105ZJC	E CAPACITOR				C 418	QKCC1HM-225Z	E CAPACITOR	2.2MF 20% 50V	
	C 37	EETC1HM-474ZJC	E CAPACITOR				C 419	EETC1EM-106ZJC	E CAPACITOR		
	C 38	EETC1HM-105ZJC	E CAPACITOR				C 420	QETN1AM-107Z	E CAPACITOR	100MF 20% 10V	
	C 39	QCBB1HK-223Y	C CAPACITOR	.022MF 10% 50V			C 421	QFVJ1HJ-104Z	MF CAPACITOR	.10MF 5% 50V	
	C 40	QETN1EM-107Z	E CAPACITOR	100MF 20% 25V			C 422	QFVJ1HJ-104Z	MF CAPACITOR	.10MF 5% 50V	
	C 41	QCBB1HK-473Y	C CAPACITOR	.047MF 10% 50V			C 423	QFLM1HJ-104Z	M CAPACITOR	.10MF 5% 50V	
	C 42	QCBB1HK-473Y	C CAPACITOR	.047MF 10% 50V			C 424	QFVJ1HJ-104Z	MF CAPACITOR	.10MF 5% 50V	
	C 43	QCBB1HK-473Y	C CAPACITOR	.047MF 10% 50V			C 425	QFLM1HJ-183Z	M CAPACITOR	.018MF 5% 50V	
	C 44	QDGB1HK-102Y	C CAPACITOR				C 426	QFLM1HJ-183Z	M CAPACITOR	.018MF 5% 50V	
	C 51	EETC1HM-105ZJC	E CAPACITOR				C 427	QFLM1HJ-223Z	M CAPACITOR	.022MF 5% 50V	
	C 52	EETC1HM-105ZJC	E CAPACITOR				C 428	QFLM1HJ-223Z	M CAPACITOR	.022MF 5% 50V	
	C 60	QKCC1AM-107Z	E CAPACITOR	100MF 20% 10V			C 429	QFLM1HJ-562Z	M CAPACITOR	5600PF 5% 50V	
	C 61	QCSB1HJ-120Y	C CAPACITOR	12PF 5% 50V			C 430	QFLM1HJ-562Z	M CAPACITOR	5600PF 5% 50V	
	C 62	QCSB1HJ-120Y	C CAPACITOR	12PF 5% 50V			C 431	QETN1HM-225Z	E CAPACITOR	2.2MF 20% 50V	
	C 63	QCBB1HK-473Y	C CAPACITOR	.047MF 10% 50V			C 432	QETN1HM-225Z	E CAPACITOR	2.2MF 20% 50V	
	C 65	QDGB1HK-102Y	C CAPACITOR				C 433	QTE1H39-225Z	E CAPACITOR		
	C 66	QCBB1HK-151Y	C CAPACITOR	150PF 10% 50V			C 434	QTE1H39-225Z	E CAPACITOR		
	C 67	QCS11HJ-270	C CAPACITOR	27PF 5% 50V			C 435	QETN1EM-106Z	E CAPACITOR	10MF 20% 25V	
	C 68	QCBB1HK-101Y	C CAPACITOR	100PF 10% 50V			C 436	QETN1EM-106Z	E CAPACITOR	10MF 20% 25V	
	C 69	QFVJ1HJ-105Z	MF CAPACITOR	1.0MF 5% 50V			C 437	QDXB1CM-392Y	C CAPACITOR		
	C 70	QDXB1CM-392Y	C CAPACITOR				C 439	EETC1HM-224ZJC	E CAPACITOR		
	C 71	EETC1CM-476ZJC	E CAPACITOR				C 440	EETC1EM-106ZJC	E CAPACITOR		
	C 72	QDGB1HK-102Y	C CAPACITOR				C 445	QCBB1HK-101Y	C CAPACITOR	100PF 10% 50V	
	C 110	QFVJ1HJ-334Z	M CAPACITOR	.33MF 5% 50V			C 446	QCBB1HK-101Y	C CAPACITOR	100PF 10% 50V	
	C 111	QETN1CM-477Z	E CAPACITOR	470MF 20% 16V			C 447	QTE1C39-106Z	E CAPACITOR		
	C 120	QFLM1HJ-104Z	M CAPACITOR	.10MF 5% 50V			C 448	QTE1C39-106Z	E CAPACITOR		
	C 121	QETN0JM-477Z	E CAPACITOR	470MF 20% 6.3V			C 454	QCBB1HK-101Y	C CAPACITOR	100PF 10% 50V	
	C 122	QETN1EM-227Z	E CAPACITOR	220MF 20% 25V			C 457	QETN1HM-106Z	E CAPACITOR	10MF 20% 50V	
	C 123	QETN1HM-225Z	E CAPACITOR	2.2MF 20% 50V			C 458	QETN1HM-106Z	E CAPACITOR	10MF 20% 50V	
	C 124	QCZ0205-155Z	ML C CAPACITOR	1.5MF			C 459	QFLM1HJ-333Z	M CAPACITOR	.033MF 5% 50V	
	C 130	QETN1AM-107Z	E CAPACITOR	100MF 20% 10V			C 460	EETC1HM-475ZJC	E CAPACITOR		
	C 131	EETC1HM-226ZJC	E CAPACITOR				C 461	EETC1HM-474ZJC	E CAPACITOR		
	C 360	QFLM1HJ-104Z	M CAPACITOR	.10MF 5% 50V			C 462	QFLM1HJ-393Z	M CAPACITOR	.039MF 5% 50V	
	C 361	QFLM1HJ-104Z	M CAPACITOR	.10MF 5% 50V			C 463	EETC1HM-475ZJC	E CAPACITOR		
	C 365	QETN1CM-227Z	E CAPACITOR	220MF 20% 16V			C 464	QETN1AM-107Z	E CAPACITOR	100MF 20% 10V	
	C 366	QETN1AM-108Z	E CAPACITOR	1000MF 20% 10V			C 465	QFLM1HJ-473Z	M CAPACITOR	.047MF 5% 50V	
	C 372	EETC1HM-475ZJC	E CAPACITOR				C 466	QFLM1HJ-473Z	M CAPACITOR	.047MF 5% 50V	

■ Electrical parts list (Function,Tuner,Main board) Block No. 01

△	Item	Parts number	Parts name	Remarks	Area	△	Item	Parts number	Parts name	Remarks	Area
	C 467	EETC1HM-105ZJC	E CAPACITOR				C 549	QETN0JM-227Z	E CAPACITOR	220MF 20% 6.3V	
	C 468	EETC1EM-476ZJC	E CAPACITOR				C 550	QCF31HZ-473Z	C CAPACITOR	.047MF +80-20%	
	C 470	QDYB1CM-103Y	C CAPACITOR				C 551	QCS31HJ-300Z	C CAPACITOR	30PF 5% 50V	
	C 471	QCS31HJ-470Z	C CAPACITOR	47PF 5% 50V			C 552	QCS31HJ-300Z	C CAPACITOR	30PF 5% 50V	
	C 472	QETC0JM-477Z	E CAPACITOR	470MF 20% 6.3V			C 553	QETN1EM-106Z	E CAPACITOR	10MF 20% 25V	
	C 473	QETN0JM-227Z	E CAPACITOR	220MF 20% 6.3V			C 554	QETN1EM-106Z	E CAPACITOR	10MF 20% 25V	
	C 474	QETM0JM-228	E CAPACITOR	2200MF 20% 6.3V			C 555	EETC1EM-106ZJC	E CAPACITOR		
	C 475	QETN1CM-477Z	E CAPACITOR	470MF 20% 16V			C 556	EETC1EM-106ZJC	E CAPACITOR		
	C 477	EETC1HM-475ZJC	E CAPACITOR				C 561	EETC1HM-225ZJC	E CAPACITOR		
	C 481	QCBB1HK-221Y	C CAPACITOR	220PF 10% 50V			C 562	EETC1HM-225ZJC	E CAPACITOR		
	C 482	QCBB1HK-221Y	C CAPACITOR	220PF 10% 50V			C 563	EETC1HM-105ZJC	E CAPACITOR		
	C 483	QDXB1CM-222Y	C CAPACITOR				C 564	EETC1HM-105ZJC	E CAPACITOR		
	C 484	QDGB1HK-102Y	C CAPACITOR				C 565	EETC1EM-106ZJC	E CAPACITOR		
	C 485	QETN1AM-107Z	E CAPACITOR	100MF 20% 10V			C 566	QETN1AM-107Z	E CAPACITOR	100MF 20% 10V	
	C 489	EETC1CM-476ZJC	E CAPACITOR				C 580	QDX31EM-473Z	C CAPACITOR		
	C 490	EETC1CM-476ZJC	E CAPACITOR				C 585	QDGB1HK-102Y	C CAPACITOR		
	C 493	QFLM1HJ-104Z	M CAPACITOR	.10MF 5% 50V			C 587	EETC1EM-106ZJC	E CAPACITOR		
	C 494	QFLM1HJ-104Z	M CAPACITOR	.10MF 5% 50V			C 589	QDYB1CM-103Y	C CAPACITOR		
	C 495	QFLM1HJ-104Z	M CAPACITOR	.10MF 5% 50V			C 590	QETM0JM-228	E CAPACITOR	2200MF 20% 6.3V	
	C 496	QFLM1HJ-104Z	M CAPACITOR	.10MF 5% 50V			CF 1	QAX0419-001Z	C FILTER		
	C 501	QTE1V06-106Z	E CAPACITOR				CF 2	QAX0419-001Z	C FILTER		
	C 502	QTE1V06-106Z	E CAPACITOR				CF 3	QAX0519-001Z	C FILTER		
	C 503	QFLM1HJ-223Z	M CAPACITOR	.022MF 5% 50V			CN410	QGF1016F3-19	CONNECTOR		
	C 504	QFLM1HJ-473Z	M CAPACITOR	.047MF 5% 50V			CN411	QGF1205C1-21	CONNECTOR		
	C 505	QETN0JM-227Z	E CAPACITOR	220MF 20% 6.3V			CN412	QGF1205C1-21	CONNECTOR		
	C 506	EETC1EM-106ZJC	E CAPACITOR				CN413	QGF1205C1-17	CONNECTOR		
	C 507	EETC1EM-106ZJC	E CAPACITOR				CN414	QGD2504C1-03Z	SOCKET		
	C 508	EETC1EM-106ZJC	E CAPACITOR				CN415	QGD2501C1-04Z	SOCKET		
	C 509	EETC1EM-106ZJC	E CAPACITOR				CN416	QGB2501J1-10	B TO B CONNE		
	C 510	QETN0JM-227Z	E CAPACITOR	220MF 20% 6.3V			CN417	QGB2501J1-10	B TO B CONNE		
	C 511	QFLM1HJ-104Z	M CAPACITOR	.10MF 5% 50V			CN418	QGB2501J1-10	B TO B CONNE		
	C 512	QFLM1HJ-104Z	M CAPACITOR	.10MF 5% 50V			CN419	QGF1016F3-05	CONNECTOR		
	C 513	QFLM1HJ-104Z	M CAPACITOR	.10MF 5% 50V			CN420	QGF1016F3-19	CONNECTOR		
	C 514	QFLM1HJ-104Z	M CAPACITOR	.10MF 5% 50V			CN421	QGB2501K2-10	B TO B CONNE		
	C 515	QEKC1HM-474Z	E CAPACITOR	.47MF 20% 50V			CP401	ICP-N15-T	ICP		
	C 516	QEKC1HM-474Z	E CAPACITOR	.47MF 20% 50V			D 1	1SS133-T2	SI DIODE		
	C 517	QEKC1HM-475Z	E CAPACITOR	4.7MF 20% 50V			D 2	1SS133-T2	SI DIODE		
	C 518	QEKC1HM-475Z	E CAPACITOR	4.7MF 20% 50V			D 3	1SS133-T2	SI DIODE		
	C 519	EETC1HM-474ZJC	E CAPACITOR				D 4	1SS133-T2	SI DIODE		
	C 520	EETC1HM-474ZJC	E CAPACITOR				D 5	MTZJ5.6B-T2	ZENER DIODE		
	C 521	EETC1HM-475ZJC	E CAPACITOR				D 8	1SS133-T2	SI DIODE		
	C 522	EETC1HM-475ZJC	E CAPACITOR				D 121	1GWJ42-T5	DIODE		
	C 523	QFVJ1HJ-154Z	MF CAPACITOR	.15MF 5% 50V			D 303	1SS133-T2	SI DIODE		
	C 524	QFVJ1HJ-154Z	MF CAPACITOR	.15MF 5% 50V			D 305	1SS133-T2	SI DIODE		
	C 525	QETN1HM-335Z	E CAPACITOR	3.3MF 20% 50V			D 306	1SS133-T2	SI DIODE		
	C 526	QETN1HM-335Z	E CAPACITOR	3.3MF 20% 50V			D 307	1SS133-T2	SI DIODE		
	C 527	QFVJ1HJ-154Z	MF CAPACITOR	.15MF 5% 50V			D 470	MTZJ6.8C-T2	Z DIODE		
	C 528	QFVJ1HJ-154Z	MF CAPACITOR	.15MF 5% 50V			D 471	MTZJ6.8C-T2	Z DIODE		
	C 529	QFVJ1HJ-474Z	MF CAPACITOR	.47MF 5% 50V			D 472	MTZJ6.8C-T2	Z DIODE		
	C 530	EETC1EM-476ZJC	E CAPACITOR				D 473	1SR35-400A-T5	SI DIODE		
	C 531	QETN1AM-227Z	E CAPACITOR	220MF 20% 10V			D 474	1N4003S-T5	SI DIODE		
	C 532	QDGB1HK-681Y	C CAPACITOR				D 475	1N4003S-T5	SI DIODE		
	C 533	QCS11HJ-470	C CAPACITOR	47PF 5% 50V			D 476	1N4003S-T5	SI DIODE		
	C 535	QCBB1HK-561Y	C CAPACITOR	560PF 10% 50V			D 481	1SS133-T2	SI DIODE		
	C 536	QCZ0205-155Z	ML C CAPACITOR	1.5MF			D 482	1SS133-T2	SI DIODE		
	C 541	EETC1HM-225ZJC	E CAPACITOR				D 483	1SS133-T2	SI DIODE		
	C 542	QETN1AM-227Z	E CAPACITOR	220MF 20% 10V			D 484	1SS133-T2	SI DIODE		
	C 543	QCZ0205-155Z	C CAPACITOR	1.5MF			D 485	1SS133-T2	SI DIODE		
	C 544	EETC1HM-474ZJC	E CAPACITOR				D 486	RB721Q-T2	S.B.DIODE		
	C 545	EETC1HM-474ZJC	E CAPACITOR				D 487	RB721Q-T2	S.B.DIODE		
	C 546	QFLM1HJ-823Z	M CAPACITOR	.082MF 5% 50V			D 501	MTZJ5.1B-T2	ZENER DIODE		
	C 547	QCB31HK-332Z	C CAPACITOR	3300PF 10% 50V			D 561	1SS133-T2	SI DIODE		
	C 548	QFLM1HJ-823Z	M CAPACITOR	.082MF 5% 50V			EP001	E409182-001SM	GRAND TERMINAL		

■ Electrical parts list (Function,Tuner,Main board) Block No. 01

△	Item	Parts number	Parts name	Remarks	Area	△	Item	Parts number	Parts name	Remarks	Area
	FW410	QUM135-15Z4Z4	FLAT WIRE				R 29	QRE141J-302Y	C RESISTOR	3.0K 5% 1/4W	
	FW411	QUM137-10Z4Z4	PARA RIBON WIRE				R 30	QRE141J-392Y	C RESISTOR	3.9K 5% 1/4W	
	IC 1	LA1838	IC				R 31	QRE141J-200Y	C RESISTOR	20 5% 1/4W	
	IC 2	LC72136N	IC				R 32	QRE141J-331Y	C RESISTOR	330 5% 1/4W	
	IC110	NJM7808FA	IC				R 33	QRE141J-103Y	C RESISTOR	10K 5% 1/4W	
	IC120	BP5026	IC(HYBRID)				R 34	QRE141J-222Y	C RESISTOR	2.2K 5% 1/4W	
	IC401	TDA7439	IC				R 35	QRE141J-222Y	C RESISTOR	2.2K 5% 1/4W	
	IC402	BA15218	IC				R 36	QRE141J-103Y	C RESISTOR	10K 5% 1/4W	
	IC403	BA15218	IC				R 37	QRE141J-102Y	C RESISTOR	1.0K 5% 1/4W	
	IC404	BU4052BC	IC				R 43	QRE141J-102Y	C RESISTOR	1.0K 5% 1/4W	
	IC405	BA15218	IC				R 44	QRE141J-102Y	C RESISTOR	1.0K 5% 1/4W	
	IC406	LA2650	IC				R 45	QRE141J-102Y	C RESISTOR	1.0K 5% 1/4W	
	IC501	LV1035M	IC				R 46	QRE141J-563Y	C RESISTOR	56K 5% 1/4W	
	IC542	BA3835S	IC				R 47	QRE141J-103Y	C RESISTOR	10K 5% 1/4W	
	IC561	TDA7439	IC				R 48	QRE141J-331Y	C RESISTOR	330 5% 1/4W	
	J 1	QNB0008-001	ANT TERMINAL				R 49	QRE141J-102Y	C RESISTOR	1.0K 5% 1/4W	
	J 401	QNN0132-001	PIN JACK				R 52	QRE141J-472Y	C RESISTOR	4.7K 5% 1/4W	
	J 402	QNN0017-002	PIN JACK				R 54	QRE141J-472Y	C RESISTOR	4.7K 5% 1/4W	
	J 499	GP1FA550TZ	OPT TRANSMITTER				R 55	QRE141J-182Y	C RESISTOR	1.8K 5% 1/4W	
	L 1	QQR0796-001	COIL BLOCK				R 56	QRE141J-332Y	C RESISTOR	3.3K 5% 1/4W	
	L 4	QQL231K-221Y	INDUCTOR				R 57	QRE141J-102Y	C RESISTOR	1.0K 5% 1/4W	
	L 120	QQR0779-001Z	INDUCTOR				R 64	QRE141J-473Y	C RESISTOR	47K 5% 1/4W	
	L 121	QQL31AK-101Z	INDUCTOR				R 65	QRE141J-222Y	C RESISTOR	2.2K 5% 1/4W	
	L 407	QQR0779-001Z	INDUCTOR				R 66	QRE141J-222Y	C RESISTOR	2.2K 5% 1/4W	
	PP401	QZW0007-001	POST PIN				R 69	QRE141J-222Y	C RESISTOR	2.2K 5% 1/4W	
	Q 1	2SC2668/O/-T	TRANSISTOR				R 101	QRE141J-561Y	C RESISTOR	560 5% 1/4W	
	Q 6	KRA107M-T	D.TRANSISTOR				R 121	QRE141J-822Y	C RESISTOR	8.2K 5% 1/4W	
	Q 120	KTC3199/GL/-T	TRANSISTOR				R 122	QRE141J-103Y	C RESISTOR	10K 5% 1/4W	
	Q 130	KTA1271/OY/-T	TRANSISTOR				R 124	QRJ146J-4R7X	UNF C.RESISTOR	4.7 5% 1/4W	
	Q 131	KRC102M-T	D.TRANSISTOR				R 130	QRE141J-103Y	C RESISTOR	10K 5% 1/4W	
	Q 401	2SC3576-JVC-T	TRANSISTOR				R 131	QRE141J-512Y	C RESISTOR	5.1K 5% 1/4W	
	Q 402	2SC3576-JVC-T	TRANSISTOR				R 132	QRE141J-102Y	C RESISTOR	1.0K 5% 1/4W	
	Q 403	KRA102M-T	D.TRANSISTOR				R 133	QRE141J-181Y	C RESISTOR	180 5% 1/4W	
	Q 405	2SC3576-JVC-T	TRANSISTOR				R 134	QRE141J-181Y	C RESISTOR	180 5% 1/4W	
	Q 406	2SC3576-JVC-T	TRANSISTOR				R 360	QRE141J-222Y	C RESISTOR	2.2K 5% 1/4W	
	Q 407	2SA1175/HFE/-T	TRANSISTOR				R 363	QRE141J-391Y	C RESISTOR	390 5% 1/4W	
	Q 408	KTC3199/GL/-T	TRANSISTOR				R 370	QRE141J-102Y	C RESISTOR	1.0K 5% 1/4W	
	Q 409	KRC114M-T	TRANSISTOR				R 371	QRE141J-103Y	C RESISTOR	10K 5% 1/4W	
	Q 410	KTC3199/GL/-T	TRANSISTOR				R 372	QRE141J-103Y	C RESISTOR	10K 5% 1/4W	
	Q 411	KTC3199/GL/-T	TRANSISTOR				R 375	QRE141J-331Y	C RESISTOR	330 5% 1/4W	
	Q 412	KRC102M-T	D.TRANSISTOR				R 376	QRE141J-473Y	C RESISTOR	47K 5% 1/4W	
	Q 413	KRC102M-T	D.TRANSISTOR				R 377	QRE141J-103Y	C RESISTOR	10K 5% 1/4W	
	Q 415	2SC2235/OY/-T	TRANSISTOR				R 378	QRE141J-104Y	C RESISTOR	100K 5% 1/4W	
	Q 481	2SC3576-JVC-T	TRANSISTOR				R 383	QRE141J-472Y	C RESISTOR	4.7K 5% 1/4W	
	Q 482	2SC3576-JVC-T	TRANSISTOR				R 384	QRE141J-472Y	C RESISTOR	4.7K 5% 1/4W	
	Q 483	KRA102M-T	D.TRANSISTOR				R 386	QRE141J-104Y	C RESISTOR	100K 5% 1/4W	
	Q 501	2SC3576-JVC-T	TRANSISTOR				R 387	QRE141J-473Y	C RESISTOR	47K 5% 1/4W	
	Q 502	2SC3576-JVC-T	TRANSISTOR				R 388	QRE141J-220Y	C RESISTOR	22 5% 1/4W	
	R 1	QRE141J-102Y	C RESISTOR	1.0K 5% 1/4W			R 389	QRE141J-225Y	C RESISTOR	2.2M 5% 1/4W	
	R 10	QRE141J-102Y	C RESISTOR	1.0K 5% 1/4W			R 401	QRE141J-222Y	C RESISTOR	2.2K 5% 1/4W	
	R 12	QRE141J-102Y	C RESISTOR	1.0K 5% 1/4W			R 402	QRE141J-222Y	C RESISTOR	2.2K 5% 1/4W	
	R 13	QRE141J-104Y	C RESISTOR	100K 5% 1/4W			R 403	QRE141J-222Y	C RESISTOR	2.2K 5% 1/4W	
	R 14	QRE141J-560Y	C RESISTOR	56 5% 1/4W			R 404	QRE141J-222Y	C RESISTOR	2.2K 5% 1/4W	
	R 19	QRE141J-623Y	C RESISTOR	62K 5% 1/4W			R 405	QRE141J-432Y	C RESISTOR	4.3K 5% 1/4W	
	R 20	QRE141J-331Y	C RESISTOR	330 5% 1/4W			R 406	QRE141J-432Y	C RESISTOR	4.3K 5% 1/4W	
	R 21	QRE141J-224Y	C RESISTOR	220K 5% 1/4W			R 407	QRE141J-302Y	C RESISTOR	3.0K 5% 1/4W	
	R 22	QRE141J-331Y	C RESISTOR	330 5% 1/4W			R 408	QRE141J-302Y	C RESISTOR	3.0K 5% 1/4W	
	R 23	QRE141J-470Y	C RESISTOR	47 5% 1/4W			R 413	QRE141J-303Y	C RESISTOR	30K 5% 1/4W	
	R 24	QRE141J-433Y	C RESISTOR	43K 5% 1/4W			R 414	QRE141J-303Y	C RESISTOR	30K 5% 1/4W	
	R 25	QRE141J-272Y	C RESISTOR	2.7K 5% 1/4W			R 415	QRE141J-303Y	C RESISTOR	30K 5% 1/4W	
	R 26	QRE141J-103Y	C RESISTOR	10K 5% 1/4W			R 416	QRE141J-303Y	C RESISTOR	30K 5% 1/4W	
	R 27	QRE141J-623Y	C RESISTOR	62K 5% 1/4W			R 417	QRE141J-562Y	C RESISTOR	5.6K 5% 1/4W	
	R 28	QRE141J-223Y	C RESISTOR	22K 5% 1/4W			R 418	QRE141J-562Y	C RESISTOR	5.6K 5% 1/4W	

■ Electrical parts list (Function,Tuner,Main board) Block No. 01

△	Item	Parts number	Parts name	Remarks	Area	△	Item	Parts number	Parts name	Remarks	Area
	R 419	QRE141J-272Y	C RESISTOR	2.7K 5% 1/4W			R 549	QRE141J-563Y	C RESISTOR	56K 5% 1/4W	
	R 420	QRE141J-272Y	C RESISTOR	2.7K 5% 1/4W			R 553	QRE141J-104Y	C RESISTOR	100K 5% 1/4W	
	R 421	QRE141J-104Y	C RESISTOR	100K 5% 1/4W			R 554	QRE141J-104Y	C RESISTOR	100K 5% 1/4W	
	R 422	QRE141J-104Y	C RESISTOR	100K 5% 1/4W			R 555	QRE141J-102Y	C RESISTOR	1.0K 5% 1/4W	
	R 423	QRE141J-303Y	C RESISTOR	30K 5% 1/4W			R 556	QRE141J-102Y	C RESISTOR	1.0K 5% 1/4W	
	R 424	QRE141J-153Y	C RESISTOR	15K 5% 1/4W			R 557	QRE141J-473Y	C RESISTOR	47K 5% 1/4W	
	R 425	QRE141J-153Y	C RESISTOR	15K 5% 1/4W			R 558	QRE141J-473Y	C RESISTOR	47K 5% 1/4W	
	R 426	QRE141J-303Y	C RESISTOR	30K 5% 1/4W			R 566	QRE141J-102Y	C RESISTOR	1.0K 5% 1/4W	
	R 427	QRE141J-153Y	C RESISTOR	15K 5% 1/4W			R 567	QRE141J-104Y	C RESISTOR	100K 5% 1/4W	
	R 428	QRE141J-104Y	C RESISTOR	100K 5% 1/4W			R 568	QRE141J-104Y	C RESISTOR	100K 5% 1/4W	
	R 429	QRE141J-473Y	C RESISTOR	47K 5% 1/4W			R 569	QRE141J-221Y	C RESISTOR	220 5% 1/4W	
	R 430	QRE141J-473Y	C RESISTOR	47K 5% 1/4W			R 570	QRE141J-221Y	C RESISTOR	220 5% 1/4W	
	R 433	QRE141J-562Y	C RESISTOR	5.6K 5% 1/4W			R 571	QRE141J-103Y	C RESISTOR	10K 5% 1/4W	
	R 434	QRE141J-562Y	C RESISTOR	5.6K 5% 1/4W			R 572	QRE141J-103Y	C RESISTOR	10K 5% 1/4W	
	R 435	QRE141J-104Y	C RESISTOR	100K 5% 1/4W			R 573	QRE141J-103Y	C RESISTOR	10K 5% 1/4W	
	R 436	QRE141J-104Y	C RESISTOR	100K 5% 1/4W			R 574	QRE141J-103Y	C RESISTOR	10K 5% 1/4W	
	R 437	QRE141J-682Y	C RESISTOR	6.8K 5% 1/4W			R 575	QRE141J-103Y	C RESISTOR	10K 5% 1/4W	
	R 438	QRE141J-682Y	C RESISTOR	6.8K 5% 1/4W			R 576	QRE141J-102Y	C RESISTOR	1.0K 5% 1/4W	
	R 439	QRE141J-472Y	C RESISTOR	4.7K 5% 1/4W			R 577	QRE141J-102Y	C RESISTOR	1.0K 5% 1/4W	
	R 440	QRE141J-472Y	C RESISTOR	4.7K 5% 1/4W			R 578	QRE141J-103Y	C RESISTOR	10K 5% 1/4W	
	R 441	QRE141J-104Y	C RESISTOR	100K 5% 1/4W			R 579	QRE141J-102Y	C RESISTOR	1.0K 5% 1/4W	
	R 442	QRE141J-104Y	C RESISTOR	100K 5% 1/4W			R 580	QRE141J-103Y	C RESISTOR	10K 5% 1/4W	
	R 443	QRE141J-203Y	C RESISTOR	20K 5% 1/4W			R 581	QRE141J-102Y	C RESISTOR	1.0K 5% 1/4W	
	R 444	QRE141J-203Y	C RESISTOR	20K 5% 1/4W			R 582	QRE141J-102Y	C RESISTOR	1.0K 5% 1/4W	
	R 445	QRE141J-303Y	C RESISTOR	30K 5% 1/4W			R 583	QRE141J-102Y	C RESISTOR	1.0K 5% 1/4W	
	R 446	QRE141J-303Y	C RESISTOR	30K 5% 1/4W			R 584	QRE141J-102Y	C RESISTOR	1.0K 5% 1/4W	
	R 447	QRE141J-153Y	C RESISTOR	15K 5% 1/4W			R 585	QRE141J-102Y	C RESISTOR	1.0K 5% 1/4W	
	R 450	QRE141J-224Y	C RESISTOR	220K 5% 1/4W			R 586	QRE141J-103Y	C RESISTOR	10K 5% 1/4W	
	R 459	QRE141J-472Y	C RESISTOR	4.7K 5% 1/4W			R 587	QRE141J-102Y	C RESISTOR	1.0K 5% 1/4W	
	R 460	QRE141J-472Y	C RESISTOR	4.7K 5% 1/4W			R 588	QRE141J-103Y	C RESISTOR	10K 5% 1/4W	
	R 461	QRE141J-222Y	C RESISTOR	2.2K 5% 1/4W			R 589	QRE141J-102Y	C RESISTOR	1.0K 5% 1/4W	
	R 462	QRE141J-222Y	C RESISTOR	2.2K 5% 1/4W			R 590	QRE141J-223Y	C RESISTOR	22K 5% 1/4W	
	R 463	QRE141J-103Y	C RESISTOR	10K 5% 1/4W			R 591	QRE141J-223Y	C RESISTOR	22K 5% 1/4W	
	R 464	QRE141J-103Y	C RESISTOR	10K 5% 1/4W			R 592	QRE141J-102Y	C RESISTOR	1.0K 5% 1/4W	
	R 465	QRE141J-102Y	C RESISTOR	1.0K 5% 1/4W			R 593	QRE141J-272Y	C RESISTOR	2.7K 5% 1/4W	
	R 469	QRE141J-221Y	C RESISTOR	220 5% 1/4W			R 594	QRE141J-181Y	C RESISTOR	180 5% 1/4W	
	R 470	QRE141J-221Y	C RESISTOR	220 5% 1/4W			R 595	QRE141J-181Y	C RESISTOR	180 5% 1/4W	
	R 471	QRE141J-103Y	C RESISTOR	10K 5% 1/4W			R 597	QRE141J-222Y	C RESISTOR	2.2K 5% 1/4W	
	R 472	QRE141J-103Y	C RESISTOR	10K 5% 1/4W			R 599	QRE141J-222Y	C RESISTOR	2.2K 5% 1/4W	
	R 473	QRE141J-103Y	C RESISTOR	10K 5% 1/4W			SP501	VYH7653-013	IC HOLDER		
	R 474	QRE141J-221Y	C RESISTOR	220 5% 1/4W			T 1	QQR0793-001	IFT		
	R 475	QRE141J-104Y	C RESISTOR	100K 5% 1/4W			TH401	QAD0064-2R2Z	POSISTOR		
	R 481	QRE141J-222Y	C RESISTOR	2.2K 5% 1/4W			TU 1	QAU0097-001	FRONT END		
	R 482	QRE141J-222Y	C RESISTOR	2.2K 5% 1/4W			X 1	QAX0402-001	CRYSTAL		
	R 483	QRE141J-221Y	C RESISTOR	220 5% 1/4W			X 541	QAX0283-001Z	RESONATOR		
	R 484	QRE141J-221Y	C RESISTOR	220 5% 1/4W							
	R 485	QRE141J-103Y	C RESISTOR	10K 5% 1/4W							
	R 486	QRE141J-103Y	C RESISTOR	10K 5% 1/4W							
	R 488	QRE141J-331Y	C RESISTOR	330 5% 1/4W							
	R 493	QRE141J-203Y	C RESISTOR	20K 5% 1/4W							
	R 494	QRE141J-203Y	C RESISTOR	20K 5% 1/4W							
	R 497	QRE141J-104Y	C RESISTOR	100K 5% 1/4W							
	R 498	QRE141J-104Y	C RESISTOR	100K 5% 1/4W							
	R 501	QRE141J-102Y	C RESISTOR	1.0K 5% 1/4W							
	R 502	QRE141J-102Y	C RESISTOR	1.0K 5% 1/4W							
	R 541	QRE141J-105Y	C RESISTOR	1.0M 5% 1/4W							
	R 542	QRE141J-393Y	C RESISTOR	39K 5% 1/4W							
	R 543	QRE141J-102Y	C RESISTOR	1.0K 5% 1/4W							
	R 544	QRE141J-102Y	C RESISTOR	1.0K 5% 1/4W							
	R 545	QRE141J-203Y	C RESISTOR	20K 5% 1/4W							
	R 546	QRE141J-473Y	C RESISTOR	47K 5% 1/4W							
	R 547	QRE141J-473Y	C RESISTOR	47K 5% 1/4W							
	R 548	QRE141J-563Y	C RESISTOR	56K 5% 1/4W							

■ Electrical parts list (Power AMP. board)

Block No. 02

△	Item	Parts number	Parts name	Remarks	Area	△	Item	Parts number	Parts name	Remarks	Area
	C 201	QFV72AJ-104Z	MF CAPACITOR	.10MF 5% 100V			C 791	EETC1HM-226ZJC	E CAPACITOR		
	C 202	QFV72AJ-104Z	MF CAPACITOR	.10MF 5% 100V			C 792	EETC1HM-226ZJC	E CAPACITOR		
	C 203	QFV72AJ-104Z	MF CAPACITOR	.10MF 5% 100V			C 793	QFLM1HJ-104Z	M CAPACITOR	.10MF 5% 50V	
△	C 204	QEZ0469-478	E CAPACITOR	4700MF			C 794	QFLM1HJ-104Z	M CAPACITOR	.10MF 5% 50V	
△	C 205	QEZ0469-478	E CAPACITOR	4700MF			C 795	QFLM1HJ-104Z	M CAPACITOR	.10MF 5% 50V	
	C 211	QFLK1HJ-104Z	TF CAPACITOR	.10MF 5% 50V			C 796	QFLM1HJ-104Z	M CAPACITOR	.10MF 5% 50V	
	C 212	QFLM1HJ-104Z	M CAPACITOR	.10MF 5% 50V			C 799	QDYB1CM-103Y	C CAPACITOR		
	C 213	QFLK1HJ-104Z	TF CAPACITOR	.10MF 5% 50V			CN102	QGB2510J1-10	CONNECTOR		
△	C 214	QETM1VM-228	E CAPACITOR	2200MF 20% 35V			CN103	QGB2501J1-11	B TO B CONNE		
△	C 215	QETM1VM-228	E CAPACITOR	2200MF 20% 35V			CN104	QGB2501J1-06	B TO B CONNE		
	C 216	QETN1VM-107Z	E CAPACITOR	100MF 20% 35V			CN105	QGB2510J1-11	CONNECTOR		
	C 217	QETN1JM-476Z	E CAPACITOR	47MF 20% 63V			CN106	QGB2501K2-10	B TO B CONNE		
	C 218	EETC1HM-226ZJC	E CAPACITOR				CN107	QGB2501K2-10	B TO B CONNE		
	C 219	QDYB1CM-103Y	C CAPACITOR				CN109	QGA3901C1-05	5P CONNECTOR		
	C 220	EETC1HM-226ZJC	E CAPACITOR				CN111	QGD2501C1-04Z	SOCKET		
	C 221	EETC1HM-475ZJC	E CAPACITOR				CN112	QGB2510K2-10	CONNECTOR		
	C 222	EETC1HM-475ZJC	E CAPACITOR				CN113	QGB2501K2-11	B TO B CONNE	TO FMH-001-2	
	C 223	EETC1HM-105ZJC	E CAPACITOR				CN114	QGB2501K2-06	B TO B CONNE	TO FMH-001-2	
	C 224	EETC1HM-105ZJC	E CAPACITOR				CN119	EWS285-202V	SKT WIRE		
	C 233	QFVJ1HJ-224Z	CAPACITOR	.22MF 5% 50V			CN120	QGA2501C4-03	CONNECTOR		
	C 253	EETB1EM-338JC	E CAPACITOR				CN703	QGB2510K2-06	CONNECTOR	TO CONN. BOARD	
	C 360	EETC1EM-226ZJC	E CAPACITOR				CN704	QGB2510K2-05	CONNECTOR	TO CONN. BOARD	
	C 361	QCF31HZ-103Z	C CAPACITOR	.010MF +80:-20%			CN713	QGB2510J1-06	CONNECTOR		
	C 362	EETC1EM-226ZJC	E CAPACITOR				CN714	QGB2510J1-05	CONNECTOR		
	C 366	EETC1EM-226ZJC	E CAPACITOR				CN915	QGD2504C1-04Z	SOCKET	FOR H/PHONE FW	
	C 367	QCF31HZ-103Z	C CAPACITOR	.010MF +80:-20%			△	D 201	1N5402M-20	DIODE	
	C 368	EETC1EM-226ZJC	E CAPACITOR				△	D 202	1N5402M-20	DIODE	
	C 369	EETC1EM-226ZJC	E CAPACITOR				△	D 203	1N5402M-20	DIODE	
	C 370	QCF31HZ-103Z	C CAPACITOR	.010MF +80:-20%			△	D 204	1N5402M-20	DIODE	
	C 371	EETC1EM-226ZJC	E CAPACITOR				△	D 211	30DF2-FC	DIODE	
	C 372	EETC1EM-226ZJC	E CAPACITOR				△	D 212	30DF2-FC	DIODE	
	C 373	QCF31HZ-103Z	C CAPACITOR	.010MF +80:-20%			△	D 213	30DF2-FC	DIODE	
	C 374	EETC1EM-226ZJC	E CAPACITOR				△	D 214	30DF2-FC	DIODE	
	C 703	QCBB1HK-471Y	C CAPACITOR	470PF 10% 50V			△	D 217	1N4003S-T5	SI DIODE	
	C 704	QCBB1HK-471Y	C CAPACITOR	470PF 10% 50V			△	D 218	1N4003S-T5	SI DIODE	
	C 705	QCS11HJ-220	C CAPACITOR	22PF 5% 50V			△	D 219	MTZJ33C-T2	Z DIODE	
	C 706	QCS11HJ-220	C CAPACITOR	22PF 5% 50V			D 220	MTZJ9.1C-T2	Z DIODE		
	C 707	QETN1EM-476Z	E CAPACITOR	47MF 20% 25V			D 221	MTZJ5.1B-T2	ZENER DIODE		
	C 708	QETN1EM-476Z	E CAPACITOR	47MF 20% 25V			D 223	1SS133-T2	SI DIODE		
	C 709	QCS11HJ-100	C CAPACITOR	10PF 5% 50V			D 224	1SS133-T2	SI DIODE		
	C 710	QCS11HJ-100	C CAPACITOR	10PF 5% 50V			D 225	1SS133-T2	SI DIODE		
	C 711	QETN1JM-476Z	E CAPACITOR	47MF 20% 63V			△	D 227	1N4003S-T5	SI DIODE	
	C 712	QETN1JM-476Z	E CAPACITOR	47MF 20% 63V			△	D 231	RN1Z-F1	SI DIODE	
	C 713	QFVJ1HJ-104Z	MF CAPACITOR	.10MF 5% 50V			△	D 232	RN1Z-F1	SI DIODE	
	C 714	QFLM1HJ-104Z	M CAPACITOR	.10MF 5% 50V			△	D 233	RN1Z-F1	SI DIODE	
	C 715	QFLM1HJ-104Z	M CAPACITOR	.10MF 5% 50V			△	D 234	RN1Z-F1	SI DIODE	
	C 716	QFLM1HJ-104Z	M CAPACITOR	.10MF 5% 50V			D 245	1SS133-T2	SI DIODE		
	C 721	QTE1V06-106Z	E CAPACITOR				D 360	MTZJ5.1B-T2	ZENER DIODE		
	C 722	QTE1V06-106Z	E CAPACITOR				D 361	MTZJ11C-T2	Z.DIODE		
	C 723	QFVJ1HJ-474Z	MF CAPACITOR	.47MF 5% 50V			D 362	MTZJ6.8C-T2	Z.DIODE		
	C 726	EETC1EM-106ZJC	E CAPACITOR				D 365	MTZJ13C-T2	ZENER DIODE		
	C 729	EETC1CM-476ZJC	E CAPACITOR				D 366	MTZJ15C-T2	ZENER DIODE		
	C 739	QFLM1HJ-103Z	M CAPACITOR	.010MF 5% 50V			D 367	MTZJ10C-T2	Z.DIODE		
	C 781	EETC1HM-225ZJC	E CAPACITOR				D 368	MTZJ11C-T2	Z.DIODE		
	C 782	EETC1HM-225ZJC	E CAPACITOR				D 369	MTZJ10C-T2	Z.DIODE		
	C 783	QCBB1HK-101Y	C CAPACITOR	100PF 10% 50V			D 370	MTZJ11C-T2	Z.DIODE	SHORT TEST	
	C 784	QCBB1HK-101Y	C CAPACITOR	100PF 10% 50V			D 703	MTZJ8.2C-T2	ZENER DIODE		
	C 785	QCBB1HK-181Y	C CAPACITOR	180PF 10% 50V			D 704	MTZJ8.2C-T2	ZENER DIODE		
	C 786	QCBB1HK-181Y	C CAPACITOR	180PF 10% 50V			D 719	1SS133-T2	SI DIODE		
	C 787	EETC1EM-476ZJC	E CAPACITOR				D 720	1SS133-T2	SI DIODE		
	C 788	EETC1EM-476ZJC	E CAPACITOR				D 721	MTZJ8.2C-T2	ZENER DIODE		
	C 789	QCSB1HJ-100Y	C CAPACITOR	10PF 5% 50V			D 722	MTZJ8.2C-T2	ZENER DIODE		
	C 790	QCSB1HJ-100Y	C CAPACITOR	10PF 5% 50V			D 723	MTZJ33C-T2	Z DIODE		

■ Electrical parts list (Power AMP. board)

Block No. 02

△	Item	Parts number	Parts name	Remarks	Area	△	Item	Parts number	Parts name	Remarks	Area
	D 724	MTZJ33C-T2	Z DIODE				R 216	QRE141J-473Y	C RESISTOR	47K 5% 1/4W	
	D 728	1SS133-T2	SI DIODE				R 242	QRE141J-222Y	C RESISTOR	2.2K 5% 1/4W	
	D 789	1SS133-T2	SI DIODE				R 245	QRE141J-222Y	C RESISTOR	2.2K 5% 1/4W	
	D 790	1SS133-T2	SI DIODE				R 246	QRE141J-222Y	C RESISTOR	2.2K 5% 1/4W	
	EP201	E409182-001SM	GRAND TERMINAL				R 247	QRE141J-222Y	C RESISTOR	2.2K 5% 1/4W	
	FT111	QNG0020-001Z	FUSE CLIP				R 290	QRE141J-102Y	C RESISTOR	1.0K 5% 1/4W	
	FT112	QNG0020-001Z	FUSE CLIP				R 291	QRE141J-102Y	C RESISTOR	1.0K 5% 1/4W	
	FT131	QNG0020-001Z	FUSE CLIP				R 292	QRE141J-102Y	C RESISTOR	1.0K 5% 1/4W	
	FT132	QNG0020-001Z	FUSE CLIP				R 293	QRE141J-102Y	C RESISTOR	1.0K 5% 1/4W	
	FT511	QNG0020-001Z	FUSE CLIP				R 294	QRE141J-103Y	C RESISTOR	10K 5% 1/4W	
	FT512	QNG0020-001Z	FUSE CLIP				R 295	QRE141J-183Y	C RESISTOR	18K 5% 1/4W	
	FT521	QNG0020-001Z	FUSE CLIP			△	R 296	QRT01DJ-R22X	UNF.MF.RESISTOR	5% 1/1W	
	FT522	QNG0020-001Z	FUSE CLIP				R 299	QRL012J-332	UNF.OMF.RES.	3.3K 5% 1/1W	
	FW101	QUM134-12DGZ4	FLAT WIRE				R 360	QRZ9006-4R7X	F RESISTOR	4.7 1/0W	
	FW411	QUM137-13DGZ4	FLAT WIRE				R 361	QRZ9006-4R7X	F RESISTOR	4.7 1/0W	
△	IC701	STK411-210E	IC				R 362	QRE141J-331Y	C RESISTOR	330 5% 1/4W	
	IC781	TDA7295	IC				R 363	QRE141J-331Y	C RESISTOR	330 5% 1/4W	
	IC782	TDA7295	IC				R 364	QRE141J-122Y	C RESISTOR	1.2K 5% 1/4W	
	L 701	QQLZ005-R45	INDUCTOR				R 365	QRE141J-561Y	C RESISTOR	560 5% 1/4W	
	L 702	QQLZ005-R45	INDUCTOR				R 366	QRE141J-561Y	C RESISTOR	560 5% 1/4W	
	L 781	QQLZ005-R45	INDUCTOR				R 367	QRE141J-122Y	C RESISTOR	1.2K 5% 1/4W	
	L 782	QQLZ005-R45	INDUCTOR				R 368	QRE141J-331Y	C RESISTOR	330 5% 1/4W	
	Q 201	2SB1274/RS/	TRANSISTOR				R 371	QRE141J-4R7Y	C RESISTOR	4.7 5% 1/4W	
	Q 203	KRC107M-T	D.TRANSISTOR				R 372	QRE141J-4R7Y	C RESISTOR	4.7 5% 1/4W	
	Q 204	KRC107M-T	D.TRANSISTOR				R 373	QRZ9021-220	FUSI RESISTOR	22 1/0W	
	Q 205	KRC107M-T	D.TRANSISTOR				R 374	QRZ9021-220	FUSI RESISTOR	22 1/0W	
	Q 240	KTC3199/GL/-T	TRANSISTOR				R 375	QRZ9021-220	FUSI RESISTOR	22 1/0W	
	Q 241	KTC3199/GL/-T	TRANSISTOR				R 376	QRE141J-221Y	C RESISTOR	220 5% 1/4W	
	Q 242	KTC3199/GL/-T	TRANSISTOR				R 377	QRE141J-681Y	C RESISTOR	680 5% 1/4W	
△	Q 360	2SD2394/EF/	TRANSISTOR				R 378	QRE141J-182Y	C RESISTOR	1.8K 5% 1/4W	
	Q 361	KTC3199/GL/-T	TRANSISTOR				R 381	QRE141J-272Y	C RESISTOR	2.7K 5% 1/4W	
	Q 362	KTC3199/GL/-T	TRANSISTOR				R 382	QRE141J-562Y	C RESISTOR	5.6K 5% 1/4W	
△	Q 365	2SD2394/EF/	TRANSISTOR				R 384	QRE141J-272Y	C RESISTOR	2.7K 5% 1/4W	
△	Q 366	2SD2394/EF/	TRANSISTOR				R 385	QRE141J-562Y	C RESISTOR	5.6K 5% 1/4W	
	Q 367	KTA1267/YG/-T	TRANSISTOR				R 388	QRE141J-103Y	C RESISTOR	10K 5% 1/4W	
	Q 368	KTC3199/GL/-T	TRANSISTOR				R 389	QRE141J-103Y	C RESISTOR	10K 5% 1/4W	
△	Q 369	2SD2394/EF/	TRANSISTOR				R 701	QRL01DJ-101X	OMF RESISTOR	100 5% 1/1W	
	Q 370	KTC3199/GL/-T	TRANSISTOR				R 702	QRL01DJ-101X	OMF RESISTOR	100 5% 1/1W	
△	Q 371	2SB1565/EF/	TRANSISTOR				R 703	QRE141J-563Y	C RESISTOR	56K 5% 1/4W	
	Q 373	KRA104M-T	D.TRANSISTOR				R 704	QRE141J-563Y	C RESISTOR	56K 5% 1/4W	
	Q 374	KRC104M-T	D.TRANSISTOR				R 705	QRJ146J-681X	UNF.C.RESISTOR	680 5% 1/4W	
	Q 375	KRC104M-T	D.TRANSISTOR				R 706	QRJ146J-681X	UNF.C.RESISTOR	680 5% 1/4W	
	Q 376	KRA104M-T	D.TRANSISTOR				R 707	QRE141J-563Y	C RESISTOR	56K 5% 1/4W	
	Q 701	2SA1038S/SE/-T	TRANSISTOR				R 708	QRE141J-563Y	C RESISTOR	56K 5% 1/4W	
	Q 702	2SA1038S/SE/-T	TRANSISTOR				R 709	QRT01DJ-R22X	UNF.MF.RESISTOR	5% 1/1W	
	Q 726	2SC2389S/SE/-T	TRANSISTOR				R 710	QRT01DJ-R22X	UNF.MF.RES.	5% 1/1W	
	Q 727	2SA1038S/SE/-T	TRANSISTOR				R 711	QRT01DJ-R22X	UNF.MF.RES.	5% 1/1W	
	Q 728	KTC3199/GL/-T	TRANSISTOR				R 712	QRT01DJ-R22X	UNF.MF.RES.	5% 1/1W	
	Q 733	2SC3576-JVC-T	TRANSISTOR				R 713	QRJ146J-100X	UNF.C RESISTOR	10 5% 1/4W	
	Q 734	2SC3576-JVC-T	TRANSISTOR				R 714	QRJ146J-100X	UNF.C RESISTOR	10 5% 1/4W	
	Q 735	2SC3576-JVC-T	TRANSISTOR				R 715	QRJ146J-100X	UNF.C RESISTOR	10 5% 1/4W	
	Q 736	2SC3576-JVC-T	TRANSISTOR				R 716	QRJ146J-100X	UNF.C RESISTOR	10 5% 1/4W	
	Q 737	KRA111M-T	D.TRANSISTOR				R 717	QRE141J-122Y	C RESISTOR	1.2K 5% 1/4W	
	Q 758	2SA1038S/SE/-T	TRANSISTOR				R 718	QRE141J-122Y	C RESISTOR	1.2K 5% 1/4W	
	Q 781	2SA1038S/SE/-T	TRANSISTOR				R 719	QRE141J-223Y	C RESISTOR	22K 5% 1/4W	
	Q 782	2SA1038S/SE/-T	TRANSISTOR				R 720	QRE141J-223Y	C RESISTOR	22K 5% 1/4W	
	R 203	QRE141J-332Y	C RESISTOR	3.3K 5% 1/4W			R 721	QRE141J-103Y	C RESISTOR	10K 5% 1/4W	
	R 204	QRE141J-223Y	C RESISTOR	22K 5% 1/4W			R 722	QRE141J-103Y	C RESISTOR	10K 5% 1/4W	
	R 205	QRE141J-104Y	C RESISTOR	100K 5% 1/4W			R 723	QRE141J-392Y	C RESISTOR	3.9K 5% 1/4W	
	R 209	QRE141J-103Y	C RESISTOR	10K 5% 1/4W			R 724	QRE141J-392Y	C RESISTOR	3.9K 5% 1/4W	
	R 210	QRE141J-472Y	C RESISTOR	4.7K 5% 1/4W			R 725	QRE141J-823Y	C RESISTOR	82K 5% 1/4W	
	R 211	QRE141J-182Y	C RESISTOR	1.8K 5% 1/4W			R 726	QRE141J-104Y	C RESISTOR	100K 5% 1/4W	
	R 215	QRE141J-473Y	C RESISTOR	47K 5% 1/4W			R 727	QRE141J-104Y	C RESISTOR	100K 5% 1/4W	

■ Electrical parts list (Power AMP. board)

Block No. 02

△	Item	Parts number	Parts name	Remarks	Area
	R 728	QRE141J-103Y	C RESISTOR	10K 5% 1/4W	
	R 729	QRE141J-104Y	C RESISTOR	100K 5% 1/4W	
	R 730	QRE141J-103Y	C RESISTOR	10K 5% 1/4W	
	R 733	QRE141J-472Y	C RESISTOR	4.7K 5% 1/4W	
	R 734	QRE141J-472Y	C RESISTOR	4.7K 5% 1/4W	
	R 735	QRE141J-472Y	C RESISTOR	4.7K 5% 1/4W	
	R 736	QRE141J-472Y	C RESISTOR	4.7K 5% 1/4W	
	R 739	QRL01DJ-821X	OMF RESISTOR	820 5% 1/1W	
	R 740	QRL01DJ-821X	OMF RESISTOR	820 5% 1/1W	
	R 741	QRE141J-223Y	C RESISTOR	22K 5% 1/4W	
	R 742	QRE141J-223Y	C RESISTOR	22K 5% 1/4W	
	R 743	QRE141J-223Y	C RESISTOR	22K 5% 1/4W	
	R 744	QRE141J-223Y	C RESISTOR	22K 5% 1/4W	
	R 745	QRE141J-103Y	C RESISTOR	10K 5% 1/4W	
	R 746	QRE141J-103Y	C RESISTOR	10K 5% 1/4W	
	R 747	QRE141J-823Y	C RESISTOR	82K 5% 1/4W	
	R 748	QRE141J-104Y	C RESISTOR	100K 5% 1/4W	
	R 749	QRE141J-471Y	C RESISTOR	470 5% 1/4W	
	R 750	QRE141J-471Y	C RESISTOR	470 5% 1/4W	
	R 751	QRJ146J-100X	UNF.C RESISTOR	10 5% 1/4W	
	R 752	QRJ146J-100X	UNF.C RESISTOR	10 5% 1/4W	
	R 766	QRE141J-333Y	C RESISTOR	33K 5% 1/4W	
	R 767	QRE141J-683Y	C RESISTOR	68K 5% 1/4W	
	R 771	QRE141J-222Y	C RESISTOR	2.2K 5% 1/4W	
	R 772	QRE141J-103Y	C RESISTOR	10K 5% 1/4W	
	R 774	QRJ146J-100X	UNF.C RESISTOR	10 5% 1/4W	
	R 775	QRE141J-102Y	C RESISTOR	1.0K 5% 1/4W	
	R 776	QRE141J-102Y	C RESISTOR	1.0K 5% 1/4W	
	R 783	QRE141J-563Y	C RESISTOR	56K 5% 1/4W	
	R 784	QRE141J-563Y	C RESISTOR	56K 5% 1/4W	
	R 785	QRE141J-182Y	C RESISTOR	1.8K 5% 1/4W	
	R 786	QRE141J-182Y	C RESISTOR	1.8K 5% 1/4W	
	R 787	QRE141J-563Y	C RESISTOR	56K 5% 1/4W	
	R 788	QRE141J-563Y	C RESISTOR	56K 5% 1/4W	
	R 789	QRT01DJ-R22X	UNF.MF.RESISTOR	5% 1/1W	
	R 790	QRT01DJ-R22X	UNF.MF.RESISTOR	5% 1/1W	
	R 791	QRT01DJ-R22X	UNF.MF.RESISTOR	5% 1/1W	
	R 792	QRT01DJ-R22X	UNF.MF.RESISTOR	5% 1/1W	
	R 793	QRJ146J-100X	UNF.C RESISTOR	10 5% 1/4W	
	R 794	QRJ146J-100X	UNF.C RESISTOR	10 5% 1/4W	
	R 795	QRJ146J-100X	UNF.C RESISTOR	10 5% 1/4W	
	R 796	QRJ146J-100X	UNF.C RESISTOR	10 5% 1/4W	
	R 797	QRE141J-122Y	C RESISTOR	1.2K 5% 1/4W	
	R 798	QRE141J-122Y	C RESISTOR	1.2K 5% 1/4W	
△	S 500	QSW0812-001	VOLTAGE SWITCH		
	TB101	QNZ0079-001Z	TAB		
	TB102	QNZ0079-001Z	TAB		
	TH202	QAD0095-4R7Z	POSISTOR		
	TW120	WJK0040-001A	E-SI C WIRE C-B		

■ Electrical parts list (System control & switch board) Block No. 03

△	Item	Parts number	Parts name	Remarks	Area	△	Item	Parts number	Parts name	Remarks	Area
	C 801	QFVJ1HJ-124Z	MF CAPACITOR	.12MF 5% 50V			C1028	QCBB1HK-151Y	C CAPACITOR	150PF 10% 50V	
	C 803	QETN0JM-477Z	E CAPACITOR	470MF 20% 6.3V			C1029	QCBB1HK-561Y	C CAPACITOR	560PF 10% 50V	
	C 804	QETN0JM-108Z	E CAPACITOR	1000MF 20% 6.3V			C1030	EETC1HM-225ZJC	E CAPACITOR		
	C 805	QDGB1HK-102Y	C CAPACITOR				C1031	QDYB1CM-103Y	C CAPACITOR		
	C 806	QDGB1HK-102Y	C CAPACITOR				C1032	QDYB1CM-103Y	C CAPACITOR		
	C 807	QCSB1HJ-390Y	C CAPACITOR	39PF 5% 50V			C1033	EETC1HM-475ZJC	E CAPACITOR		
	C 808	QCSB1HJ-330Y	C CAPACITOR	33PF 5% 50V			C1034	QFLM1HJ-104Z	M CAPACITOR	.10MF 5% 50V	
	C 809	QCSB1HJ-330Y	C CAPACITOR	33PF 5% 50V			C1035	EETC1AM-107ZJC	E CAPACITOR		
	C 810	QCSB1HJ-390Y	C CAPACITOR	39PF 5% 50V			C1036	QCBB1HK-820Y	C CAPACITOR	82PF 10% 50V	
	C 811	QDGB1HK-102Y	C CAPACITOR				C1037	QFLM1HJ-333Z	M CAPACITOR	.033MF 5% 50V	
	C 812	QCSB1HJ-220Y	C CAPACITOR	22PF 5% 50V			C1038	QDXB1CM-472Y	C CAPACITOR		
	C 813	QCSB1HJ-270Y	C CAPACITOR	27PF 5% 50V			C1039	QDYB1CM-103Y	C CAPACITOR		
	C 814	QDGB1HK-102Y	C CAPACITOR				C1040	QDXB1CM-332Y	C CAPACITOR		
	C 815	EETC1HM-226ZJC	E CAPACITOR				C1041	QFLM1HJ-333Z	M CAPACITOR	.033MF 5% 50V	
	C 816	EETC1CM-476ZJC	E CAPACITOR				C1042	EETC1EM-226ZJC	E CAPACITOR		
	C 817	EETC1HM-226ZJC	E CAPACITOR				C1043	QFVJ1HJ-474Z	MF CAPACITOR	.47MF 5% 50V	
	C 818	QCBB1HK-221Y	C CAPACITOR	220PF 10% 50V			C1044	QDYB1CM-103Y	C CAPACITOR		
	C 819	QCBB1HK-221Y	C CAPACITOR	220PF 10% 50V			C1045	EETC1HM-225ZJC	E CAPACITOR		
	C 820	QCZ0205-155Z	ML C CAPACITOR	1.5MF			C1050	QDYB1CM-103Y	C CAPACITOR		
	C 821	QDYB1CM-103Y	C CAPACITOR				C1051	QFLM1HJ-104Z	M CAPACITOR	.10MF 5% 50V	
	C 831	QDYB1CM-103Y	C CAPACITOR				C1052	QFLM1HJ-104Z	M CAPACITOR	.10MF 5% 50V	
	C 832	QDYB1CM-103Y	C CAPACITOR				C1053	QDXB1CM-222Y	C CAPACITOR		
	C 834	QEK0JM-226Z	E CAPACITOR	22MF 20% 6.3V			C1054	QDXB1CM-222Y	C CAPACITOR		
	C 835	QCB31HK-102Z	C CAPACITOR	1000PF 10% 50V			C1055	QFLM1HJ-393Z	M CAPACITOR	.039MF 5% 50V	
	C 851	EETC1EM-106ZJC	E CAPACITOR				C1056	QFLM1HJ-393Z	M CAPACITOR	.039MF 5% 50V	
	C 852	QCBB1HK-221Y	C CAPACITOR	220PF 10% 50V			C1057	QDVB1EZ-223Y	C CAPACITOR		
	C 853	QCBB1HK-221Y	C CAPACITOR	220PF 10% 50V			C1058	QDVB1EZ-223Y	C CAPACITOR		
	C 854	EETC1EM-226ZJC	E CAPACITOR				C1059	QFLM1HJ-393Z	M CAPACITOR	.039MF 5% 50V	
	C 855	QETN0JM-227Z	E CAPACITOR	220MF 20% 6.3V			D 801	1N4003S-T5	SI DIODE		
	C 856	QETN1AM-107Z	E CAPACITOR	100MF 20% 10V			D 803	1SS119-02-T2	SI DIODE		
	C 857	EETC1CM-476ZJC	E CAPACITOR				D 804	1SS133-T2	SI DIODE		
	C 971	QDYB1CM-103Y	C CAPACITOR				D 805	1SS133-T2	SI DIODE		
	C 972	QDYB1CM-103Y	C CAPACITOR				D 831	MTZJ5.1B-T2	ZENER DIODE		
	CN115	QGB2510K2-11	CONNECTOR				D 832	MTZJ5.1B-T2	ZENER DIODE		
	CN810	QGF1205F1-21	CONNECTOR				D 920	SLR-342DC-T	LED		
	CN811	QGF1205F1-23	CONNECTOR				D 955	SLR-342MC-T	LED		
	CN812	QGF1205F1-11	CONNECTOR				D 956	SLR-342MC-T	LED		
	CN813	QGF1016F1-09	CONNECTOR				D 957	SLR-342MC-T	LED		
	CN814	QGD2504C1-04Z	SOCKET				D 958	SLR-342MC-T	LED		
	CN815	QGD2504C1-03Z	SOCKET				D 961	1SS133-T2	SI DIODE		
	CN816	QGD2504C1-05Z	SOCKET				D 962	SLR-342VC-T	LED	POWER LED	
	CN817	QGF1205C1-10	CONNECTOR				D 981	SLR-342MC-T	LED		
	CN856	QGF1205C1-21	CONNECTOR				D 982	SLR-342MC-T	LED		
	CN857	QGF1205C1-23	CONNECTOR				D 983	SLR-342MC-T	LED		
	CN858	QGD2504C1-05Z	CONNEN				D 984	SLR-342MC-T	LED		
	CN859	QGF1205C1-10	CONNECTOR				D 991	SLR-342MC-T	LED		
	CN860	QGF1205C1-21	FFC/FPC CONNE				D 992	SLR-342MC-T	LED		
	CN861	QGF1205C1-17	CONNECTOR				D 993	SLR-342MC-T	LED		
	CN862	QGF1205C1-21	FFC/FPC CONNE				D1021	MTZJ5.1B-T2	ZENER DIODE		
	CN863	QGA2501C1-02	2P CONNECTOR				D1041	1SS133-T2	SI DIODE		
	CN921	QGF1016F1-09	CONNECTOR				D1042	1SS133-T2	SI DIODE		
	CN971	QGF1205F1-10	CONNECTOR				FL801	QLF0059-001	FL TUBE		
	C1003	QDGB1HK-103Y	C CAPACITOR				FW901	QUM134-27DGZ4	FLAT WIRE		
	C1004	QDGB1HK-102Y	C CAPACITOR				FW902	QUM135-10DGZ4	PARA RIBON WIRE		
	C1005	QDGB1HK-102Y	C CAPACITOR				FW951	QUM027-08DGZ3	FLAT WIRE		
	C1006	QDGB1HK-102Y	C CAPACITOR				FW961	QUM025-12DGZ3	FLAT WIRE		
	C1021	QFLM1HJ-102Z	C CAPACITOR	1000PF 5% 50V			FW971	QUM026-07Z3Z3	FLAT WIRE		
	C1022	QDGB1HK-102Y	C CAPACITOR				FW972	QUM025-07Z3Z3	FLAT WIRE		
	C1023	QDGB1HK-102Y	C CAPACITOR				IC810	MN101C23DDB	IC		
	C1024	EETC1HM-225ZJC	E CAPACITOR				IC811	NJU3714D	IC		
	C1025	QDGB1HK-102Y	C CAPACITOR				IC812	GP1U291Q	RM RECEIVER	RM RECEIVER	
	C1026	EETC1HM-225ZJC	E CAPACITOR				IC853	TA8409S	IC		
	C1027	QCBB1HK-101Y	C CAPACITOR	100PF 10% 50V			IC854	NJU3711D	IC		

■ Electrical parts list (System control & switch board) Block No. 03

△	Item	Parts number	Parts name	Remarks	Area	△	Item	Parts number	Parts name	Remarks	Area
	IC901	NJM4580L	IC				R 830	QRE141J-201Y	C RESISTOR	200 5% 1/4W	
	IC902	BU9253AS	IC				R 831	QRE141J-104Y	C RESISTOR	100K 5% 1/4W	
	J 81	QNB0038-001	SPK.TERMINAL				R 832	QRE141J-104Y	C RESISTOR	100K 5% 1/4W	
	J 82	QNN0017-001	PIN JACK				R 833	QRE141J-104Y	C RESISTOR	100K 5% 1/4W	
	J 83	QNN0197-001	PIN JACK				R 834	QRE141J-104Y	C RESISTOR	100K 5% 1/4W	
	JS971	QSW0538-001	ROTARY ENCODER				R 835	QRE141J-104Y	C RESISTOR	100K 5% 1/4W	
	J1001	QNS0030-001	JACK	HEAD PHONE			R 836	QRE141J-104Y	C RESISTOR	100K 5% 1/4W	
	J1021	QNS0080-001	6.3 JACK	MIC JACK			R 837	QRE141J-104Y	C RESISTOR	100K 5% 1/4W	
	J1022	QNS0080-001	6.3 JACK	MIC JACK			R 838	QRE141J-102Y	C RESISTOR	1.0K 5% 1/4W	
	L 801	QQL173K-470Z	INDUCTOR				R 839	QRE141J-102Y	C RESISTOR	1.0K 5% 1/4W	
	L 802	QQL231K-220Y	INDUCTOR				R 840	QRE141J-103Y	C RESISTOR	10K 5% 1/4W	
	L 803	QQL29BJ-100Z	INDUCTOR				R 841	QRE141J-103Y	C RESISTOR	10K 5% 1/4W	
	L 804	QQR0779-001Z	INDUCTOR				R 842	QRE141J-103Y	C RESISTOR	10K 5% 1/4W	
	L 805	QQL173K-470Z	INDUCTOR				R 843	QRE141J-103Y	C RESISTOR	10K 5% 1/4W	
	L 806	QQL173K-470Z	INDUCTOR				R 844	QRE141J-103Y	C RESISTOR	10K 5% 1/4W	
	L 851	QQL29BJ-100Z	INDUCTOR				R 845	QRE141J-102Y	C RESISTOR	1.0K 5% 1/4W	
	L 852	QQR0779-001Z	INDUCTOR				R 846	QRE141J-102Y	C RESISTOR	1.0K 5% 1/4W	
	L 854	QQL231K-470Y	INDUCTOR				R 847	QRE141J-102Y	C RESISTOR	1.0K 5% 1/4W	
	L1003	QQL231K-2R2Y	INDUCTOR	HP GND			R 848	QRE141J-102Y	C RESISTOR	1.0K 5% 1/4W	
	L1023	QQL231K-150Y	INDUCTOR				R 849	QRE141J-102Y	C RESISTOR	1.0K 5% 1/4W	
	Q 801	2SC2668/O-T	TRANSISTOR				R 850	QRE141J-103Y	C RESISTOR	10K 5% 1/4W	
	Q 802	2SC2668/O-T	TRANSISTOR				R 851	QRE141J-562Y	C RESISTOR	5.6K 5% 1/4W	
	Q 803	DTC114ESA-T	D.TRANSISTOR				R 852	QRE141J-3R9Y	C RESISTOR	3.9 5% 1/4W	
	Q 804	DTC114ESA-T	D.TRANSISTOR				R 853	QRE141J-183Y	C RESISTOR	18K 5% 1/4W	
	Q 805	DTC114ESA-T	D.TRANSISTOR				R 854	QRE141J-332Y	C RESISTOR	3.3K 5% 1/4W	
	Q 806	DTC114ESA-T	D.TRANSISTOR				R 856	QRE141J-151Y	C RESISTOR	150 5% 1/4W	
	Q 807	DTC114ESA-T	D.TRANSISTOR				R 857	QRE141J-391Y	C RESISTOR	390 5% 1/4W	
	Q 808	DTC114ESA-T	D.TRANSISTOR				R 920	QRE141J-391Y	C RESISTOR	390 5% 1/4W	
	Q 809	DTC114ESA-T	D.TRANSISTOR				R 921	QRE141J-102Y	C RESISTOR	1.0K 5% 1/4W	
	Q 810	DTC114ESA-T	D.TRANSISTOR				R 922	QRE141J-102Y	C RESISTOR	1.0K 5% 1/4W	
	Q 811	DTC114ESA-T	D.TRANSISTOR				R 923	QRE141J-122Y	C RESISTOR	1.2K 5% 1/4W	
	Q 851	KTC3199/GL-T	TRANSISTOR				R 924	QRE141J-152Y	C RESISTOR	1.5K 5% 1/4W	
	Q 961	KRA102M-T	D.TRANSISTOR				R 925	QRE141J-222Y	C RESISTOR	2.2K 5% 1/4W	
	Q1021	DTA114TSA-T	D.TRANSISTOR				R 926	QRE141J-272Y	C RESISTOR	2.7K 5% 1/4W	
	R 801	QRE141J-331Y	C RESISTOR	330 5% 1/4W			R 927	QRE141J-392Y	C RESISTOR	3.9K 5% 1/4W	
	R 802	QRE141J-223Y	C RESISTOR	22K 5% 1/4W			R 928	QRE141J-562Y	C RESISTOR	5.6K 5% 1/4W	
	R 803	QRE141J-223Y	C RESISTOR	22K 5% 1/4W			R 931	QRE141J-102Y	C RESISTOR	1.0K 5% 1/4W	
	R 804	QRE141J-822Y	C RESISTOR	8.2K 5% 1/4W			R 932	QRE141J-102Y	C RESISTOR	1.0K 5% 1/4W	
	R 805	QRE141J-822Y	C RESISTOR	8.2K 5% 1/4W			R 933	QRE141J-122Y	C RESISTOR	1.2K 5% 1/4W	
	R 806	QRE141J-124Y	C RESISTOR	120K 5% 1/4W			R 934	QRE141J-152Y	C RESISTOR	1.5K 5% 1/4W	
	R 807	QRE141J-103Y	C RESISTOR	10K 5% 1/4W			R 935	QRE141J-222Y	C RESISTOR	2.2K 5% 1/4W	
	R 808	QRE141J-103Y	C RESISTOR	10K 5% 1/4W			R 936	QRE141J-272Y	C RESISTOR	2.7K 5% 1/4W	
	R 809	QRE141J-103Y	C RESISTOR	10K 5% 1/4W			R 937	QRE141J-392Y	C RESISTOR	3.9K 5% 1/4W	
	R 810	QRE141J-103Y	C RESISTOR	10K 5% 1/4W			R 938	QRE141J-562Y	C RESISTOR	5.6K 5% 1/4W	
	R 811	QRE141J-103Y	C RESISTOR	10K 5% 1/4W			R 939	QRE141J-103Y	C RESISTOR	10K 5% 1/4W	
	R 812	QRE141J-103Y	C RESISTOR	10K 5% 1/4W			R 940	QRE141J-563Y	C RESISTOR	56K 5% 1/4W	
	R 813	QRE141J-103Y	C RESISTOR	10K 5% 1/4W			R 941	QRE141J-102Y	C RESISTOR	1.0K 5% 1/4W	
	R 814	QRE141J-103Y	C RESISTOR	10K 5% 1/4W			R 942	QRE141J-102Y	C RESISTOR	1.0K 5% 1/4W	
	R 815	QRE141J-563Y	C RESISTOR	56K 5% 1/4W			R 943	QRE141J-122Y	C RESISTOR	1.2K 5% 1/4W	
	R 816	QRE141J-563Y	C RESISTOR	56K 5% 1/4W			R 944	QRE141J-152Y	C RESISTOR	1.5K 5% 1/4W	
	R 817	QRE141J-103Y	C RESISTOR	10K 5% 1/4W			R 945	QRE141J-153Y	C RESISTOR	15K 5% 1/4W	
	R 818	QRE141J-103Y	C RESISTOR	10K 5% 1/4W			R 946	QRE141J-103Y	C RESISTOR	10K 5% 1/4W	
	R 819	QRE141J-102Y	C RESISTOR	1.0K 5% 1/4W			R 948	QRE141J-104Y	C RESISTOR	100K 5% 1/4W	
	R 820	QRE141J-102Y	C RESISTOR	1.0K 5% 1/4W			R 949	QRE141J-104Y	C RESISTOR	100K 5% 1/4W	
	R 821	QRE141J-102Y	C RESISTOR	1.0K 5% 1/4W			R 951	QRE141J-102Y	C RESISTOR	1.0K 5% 1/4W	
	R 822	QRE141J-102Y	C RESISTOR	1.0K 5% 1/4W			R 952	QRE141J-103Y	C RESISTOR	10K 5% 1/4W	
	R 823	QRE141J-102Y	C RESISTOR	1.0K 5% 1/4W			R 953	QRE141J-183Y	C RESISTOR	18K 5% 1/4W	
	R 824	QRE141J-102Y	C RESISTOR	1.0K 5% 1/4W			R 954	QRE141J-563Y	C RESISTOR	56K 5% 1/4W	
	R 825	QRE141J-102Y	C RESISTOR	1.0K 5% 1/4W			R 955	QRE141J-201Y	C RESISTOR	200 5% 1/4W	
	R 826	QRE141J-102Y	C RESISTOR	1.0K 5% 1/4W			R 956	QRE141J-201Y	C RESISTOR	200 5% 1/4W	
	R 827	QRE141J-103Y	C RESISTOR	10K 5% 1/4W			R 957	QRE141J-201Y	C RESISTOR	200 5% 1/4W	
	R 828	QRE141J-201Y	C RESISTOR	200 5% 1/4W			R 958	QRE141J-201Y	C RESISTOR	200 5% 1/4W	
	R 829	QRE141J-201Y	C RESISTOR	200 5% 1/4W			R 961	QRE141J-201Y	C RESISTOR	200 5% 1/4W	

■ Electrical parts list (System control & switch board) Block No. 03

△	Item	Parts number	Parts name	Remarks	Area	△	Item	Parts number	Parts name	Remarks	Area
	R 962	QRE141J-472Y	C RESISTOR	4.7K 5% 1/4W			S 941	QSW0674-001Z	TACT SWITCH		
	R 963	QRE141J-102Y	C RESISTOR	1.0K 5% 1/4W			S 942	QSW0674-001Z	TACT SWITCH		
	R 964	QRE141J-122Y	C RESISTOR	1.2K 5% 1/4W			S 943	QSW0674-001Z	TACT SWITCH		
	R 981	QRE141J-201Y	C RESISTOR	200 5% 1/4W			S 944	QSW0674-001Z	TACT SWITCH		
	R 982	QRE141J-201Y	C RESISTOR	200 5% 1/4W			S 945	QSW0674-001Z	TACT SWITCH		
	R 983	QRE141J-201Y	C RESISTOR	200 5% 1/4W			S 946	QSW0674-001Z	TACT SWITCH		
	R 984	QRE141J-201Y	C RESISTOR	200 5% 1/4W			S 948	QSW0122-001	PUSH SWITCH	PANEL OP	
	R 985	QRE141J-103Y	C RESISTOR	10K 5% 1/4W			S 949	QSW0518-001	PUSH SWITCH	PANEL CL	
	R 986	QRE141J-183Y	C RESISTOR	18K 5% 1/4W			S 951	QSW0674-001Z	TACT SWITCH		
	R 987	QRE141J-563Y	C RESISTOR	56K 5% 1/4W			S 952	QSW0674-001Z	TACT SWITCH		
	R 992	QRE141J-152Y	C RESISTOR	1.5K 5% 1/4W			S 953	QSW0674-001Z	TACT SWITCH		
	R 993	QRE141J-222Y	C RESISTOR	2.2K 5% 1/4W			S 963	QSW0674-001Z	TACT SWITCH		
	R 994	QRE141J-272Y	C RESISTOR	2.7K 5% 1/4W			S 985	QSW0674-001Z	TACT SWITCH		
	R 995	QRE141J-392Y	C RESISTOR	3.9K 5% 1/4W			S 986	QSW0674-001Z	TACT SWITCH		
	R 996	QRE141J-562Y	C RESISTOR	5.6K 5% 1/4W			S 992	QSW0674-001Z	TACT SWITCH		
	RA801	QRB169J-104	R.NETWORK	100K 5% 1/6W			S 993	QSW0674-001Z	TACT SWITCH		
	RA802	QRB169J-104	R.NETWORK	100K 5% 1/6W			S 994	QSW0674-001Z	TACT SWITCH		
	RY 1	QSK0095-001	RELAY				S 995	QSW0674-001Z	TACT SWITCH		
	RY 2	QSK0095-001	RELAY				S 996	QSW0674-001Z	TACT SWITCH		
	R1021	QRE141J-472Y	C RESISTOR	4.7K 5% 1/4W			S 997	QSW0674-001Z	TACT SWITCH		
	R1022	QRE141J-472Y	C RESISTOR	4.7K 5% 1/4W			SP801	VYH7653-001	IC HOLDER		
	R1023	QRE141J-221Y	C RESISTOR	220 5% 1/4W			VR901	QVQ0045-B54	V RESISTOR	MIC VR	
	R1024	QRE141J-103Y	C RESISTOR	10K 5% 1/4W			X 801	QAX0283-001Z	RESONATOR		
	R1025	QRE141J-104Y	C RESISTOR	100K 5% 1/4W			X 802	QAX0401-001	CRYSTAL		
	R1026	QRE141J-563Y	C RESISTOR	56K 5% 1/4W							
	R1027	QRE141J-302Y	C RESISTOR	3.0K 5% 1/4W							
	R1028	QRE141J-104Y	C RESISTOR	100K 5% 1/4W							
	R1029	QRE141J-221Y	C RESISTOR	220 5% 1/4W							
	R1030	QRE141J-221Y	C RESISTOR	220 5% 1/4W							
	R1031	QRE141J-203Y	C RESISTOR	20K 5% 1/4W							
	R1032	QRE141J-203Y	C RESISTOR	20K 5% 1/4W							
	R1033	QRE141J-822Y	C RESISTOR	8.2K 5% 1/4W							
	R1034	QRE141J-103Y	C RESISTOR	10K 5% 1/4W							
	R1035	QRE141J-393Y	C RESISTOR	39K 5% 1/4W							
	R1036	QRE141J-472Y	C RESISTOR	4.7K 5% 1/4W							
	R1037	QRE141J-153Y	C RESISTOR	15K 5% 1/4W							
	R1038	QRE141J-472Y	C RESISTOR	4.7K 5% 1/4W							
	R1039	QRE141J-103Y	C RESISTOR	10K 5% 1/4W							
	R1040	QRE141J-333Y	C RESISTOR	33K 5% 1/4W							
	R1041	QRE141J-823Y	C RESISTOR	82K 5% 1/4W							
	R1042	QRE141J-271Y	C RESISTOR	270 5% 1/4W							
△	R1051	QRJ146J-4R7X	UNF C.RESISTOR	4.7 5% 1/4W							
△	R1052	QRJ146J-4R7X	UNF C.RESISTOR	4.7 5% 1/4W							
	R1053	QRE141J-393Y	C RESISTOR	39K 5% 1/4W							
	R1054	QRE141J-393Y	C RESISTOR	39K 5% 1/4W							
	R1055	QRE141J-102Y	C RESISTOR	1.0K 5% 1/4W							
	S 921	QSW0674-001Z	TACT SWITCH								
	S 922	QSW0674-001Z	TACT SWITCH								
	S 923	QSW0674-001Z	TACT SWITCH								
	S 924	QSW0674-001Z	TACT SWITCH								
	S 925	QSW0674-001Z	TACT SWITCH								
	S 926	QSW0674-001Z	TACT SWITCH								
	S 927	QSW0674-001Z	TACT SWITCH								
	S 928	QSW0674-001Z	TACT SWITCH								
	S 931	QSW0674-001Z	TACT SWITCH								
	S 932	QSW0674-001Z	TACT SWITCH								
	S 933	QSW0674-001Z	TACT SWITCH								
	S 934	QSW0674-001Z	TACT SWITCH								
	S 935	QSW0674-001Z	TACT SWITCH								
	S 936	QSW0674-001Z	TACT SWITCH								
	S 937	QSW0674-001Z	TACT SWITCH								
	S 938	QSW0674-001Z	TACT SWITCH								
	S 939	QSW0674-001Z	TACT SWITCH								

■ Electrical parts list (Video CD board)

Block No. 04

△	Item	Parts number	Parts name	Remarks	Area	△	Item	Parts number	Parts name	Remarks	Area
	C 101	NCB31CK-104X	C CAPACITOR				C 181	NCF31EZ-104X	C CAPACITOR		
	C 102	NCB31CK-104X	C CAPACITOR				C 182	NCB31CK-104X	C CAPACITOR		
	C 103	NCB31CK-104X	C CAPACITOR				C 183	NEA70JM-107X	E CAPACITOR		
	C 104	NCB31CK-104X	C CAPACITOR				C 184	NCB31CK-104X	C CAPACITOR		
	C 105	NCB31CK-104X	C CAPACITOR				C 185	NEA70JM-107X	E CAPACITOR		
	C 106	NCB31CK-104X	C CAPACITOR				C 186	NCB31CK-104X	C CAPACITOR		
	C 107	NCB31CK-104X	C CAPACITOR				C 187	NEA70JM-107X	E CAPACITOR		
	C 108	NCB31CK-104X	C CAPACITOR				C 194	NCS31HJ-391X	C CAPACITOR		
	C 109	NCB31CK-104X	C CAPACITOR				CN101	QGF1027F1-19X	CONNECTOR		
	C 110	NCB31CK-104X	C CAPACITOR				CN102	QGF1027F1-23X	CONNECTOR		
	C 111	NCB31CK-104X	C CAPACITOR				D 151	UDZ4.7B-X	ZENER DIODE		
	C 112	NCB31CK-104X	C CAPACITOR				D 161	UDZ4.7B-X	ZENER DIODE		
	C 113	NCB31CK-104X	C CAPACITOR				D 162	UDZ4.7B-X	ZENER DIODE		
	C 114	NCB31CK-104X	C CAPACITOR				D 163	UDZ4.7B-X	ZENER DIODE		
	C 115	NCB31CK-104X	C CAPACITOR				IC101	CL8830-PA1	IC		
	C 116	NCB31CK-104X	C CAPACITOR				IC102	NAX0265-001X	IC		
	C 117	NCB31CK-104X	C CAPACITOR				IC103	MN102L490A	IC		
	C 118	NCB31CK-104X	C CAPACITOR				IC104	KM416S1120DT-G8	IC		
	C 119	NCB31CK-104X	C CAPACITOR				IC105	LH5S4RYP-X	IC		
	C 120	NCB31CK-104X	C CAPACITOR				IC106	TC74VHC00FT-X	IC		
	C 121	NCB31CK-104X	C CAPACITOR				IC107	TC74VHC74FT-X	IC		
	C 122	NCB31CK-104X	C CAPACITOR				IC151	UPD6461GS-635-X	IC		
	C 123	NCB31CK-104X	C CAPACITOR				IC152	BU1427K	IC		
	C 124	NCB31CK-104X	C CAPACITOR				IC181	HD74HCT244FP-XE	IC		
	C 125	NCB31CK-104X	C CAPACITOR				K 101	NQR0227-004X	FERRITE BEADS		
	C 126	NCB31CK-104X	C CAPACITOR				K 181	NQR0227-004X	FERRITE BEADS		
	C 127	NCB31CK-104X	C CAPACITOR				K 182	NQR0227-004X	FERRITE BEADS		
	C 128	NCB31CK-104X	C CAPACITOR				K 183	NQR0227-004X	FERRITE BEADS		
	C 129	NEA70JM-226X	E CAPACITOR				K 184	NQR0227-004X	FERRITE BEADS		
	C 131	NCS31HJ-150X	C CAPACITOR				L 161	NQL012K-2R7X	INDUCTOR		
	C 132	NCS31HJ-150X	C CAPACITOR				L 162	NQL012K-2R7X	INDUCTOR		
	C 133	NCF31EZ-104X	C CAPACITOR				L 163	NQL012K-2R7X	INDUCTOR		
	C 134	NCF31EZ-104X	C CAPACITOR				L 164	NQL012K-1R8X	INDUCTOR		
	C 135	NCF31EZ-104X	C CAPACITOR				L 165	NQL012K-1R8X	INDUCTOR		
	C 136	NCF31EZ-104X	C CAPACITOR				L 166	NQL012K-1R8X	INDUCTOR		
	C 137	NCF31EZ-104X	C CAPACITOR				R 101	NRSA63J-472X	MG RESISTOR		
	C 138	NCF31EZ-104X	C CAPACITOR				R 102	NRSA63J-332X	MG RESISTOR		
	C 139	NCB31CK-104X	C CAPACITOR				R 104	NRSA63J-102X	MG RESISTOR		
	C 140	NEA70JM-226X	E CAPACITOR				R 105	NRSA63J-151X	MG RESISTOR		
	C 141	NCB31CK-104X	C CAPACITOR				R 106	NRSA63J-105X	MG RESISTOR		
	C 142	NCF31EZ-104X	C CAPACITOR				R 107	NRSA63J-222X	MG RESISTOR		
	C 143	NCB31CK-104X	C CAPACITOR				R 108	NRSA63J-103X	MG RESISTOR		
	C 146	NCF31EZ-104X	C CAPACITOR				R 109	NRSA63J-102X	MG RESISTOR		
	C 148	NCS31HJ-220X	C CAPACITOR				R 110	NRSA63J-473X	MG RESISTOR		
	C 151	NCF31EZ-104X	C CAPACITOR				R 111	NRSA63J-473X	MG RESISTOR		
	C 152	NCB31HK-472X	C CAPACITOR				R 121	NRSA63J-0R0X	MG RESISTOR		
	C 157	NCB31HK-103X	C CAPACITOR				R 151	NRSA63J-562X	MG RESISTOR		
	C 158	NCF31EZ-104X	C CAPACITOR				R 152	NRSA63J-750X	MG RESISTOR		
	C 159	NCB31CK-104X	C CAPACITOR				R 155	NRSA63J-820X	MG RESISTOR		
	C 160	NEA70JM-107X	E CAPACITOR				R 157	NRSA63J-0R0X	MG RESISTOR		
	C 161	NCF31EZ-104X	C CAPACITOR				R 159	NRSA63J-0R0X	MG RESISTOR		
	C 162	NCS31HJ-271X	C CAPACITOR				R 160	NRSA63J-112X	MG RESISTOR		
	C 163	NCS31HJ-271X	C CAPACITOR				R 161	NRSA63J-0R0X	MG RESISTOR		
	C 164	NCS31HJ-271X	C CAPACITOR				R 163	NRSA63J-0R0X	MG RESISTOR		
	C 165	NCS31HJ-101X	C CAPACITOR				R 164	NRSA63J-750X	MG RESISTOR		
	C 166	NCS31HJ-101X	C CAPACITOR				R 165	NRSA63J-750X	MG RESISTOR		
	C 167	NCS31HJ-101X	C CAPACITOR				R 166	NRSA63J-750X	MG RESISTOR		
	C 168	NCS31HJ-331X	C CAPACITOR				R 171	NRSA63J-271X	MG RESISTOR		
	C 169	NCS31HJ-331X	C CAPACITOR				R 172	NRSA63J-271X	MG RESISTOR		
	C 170	NCS31HJ-331X	C CAPACITOR				R 173	NRSA63J-271X	MG RESISTOR		
	C 171	NCS31HJ-151X	C CAPACITOR				R 174	NRSA63J-271X	MG RESISTOR		
	C 172	NCS31HJ-151X	C CAPACITOR				R 175	NRSA63J-390X	MG RESISTOR		
	C 173	NCS31HJ-151X	C CAPACITOR				R 181	NRSA63J-750X	MG RESISTOR		

■ Electrical parts list (Video CD board)

Block No. 04

△	Item	Parts number	Parts name	Remarks	Area
	R 182	NRSA63J-271X	MG RES. (C197)		
	R 183	NRSA63J-102X	MG RESISTOR		
	R 184	NRSA63J-0R0X	MG RESISTOR		
	R 185	NRSA63J-0R0X	MG RESISTOR		
	R 186	NRSA63J-0R0X	MG RESISTOR		
	R 187	NRSA63J-471X	MG RESISTOR		
	R 188	NRSA63J-471X	MG RESISTOR		
	R 189	NRSA63J-471X	MG RESISTOR		
	R 190	NRSA63J-0R0X	MG RESISTOR		
	R 191	NRSA63J-471X	MG RESISTOR		
	R 192	NRSA63J-0R0X	MG RESISTOR		
	R 193	NRSA63J-472X	MG RESISTOR		
	R 194	NRSA63J-103X	MG RESISTOR		
	X 101	NAX0150-001X	CRYSTAL		

■ Electrical parts list (CD servo control board)

Block No. 05

△	Item	Parts number	Parts name	Remarks	Area	△	Item	Parts number	Parts name	Remarks	Area
	C 253	NCB21EK-104X	C CAPACITOR				C 859	NCF21CZ-105X	C CAPACITOR		
	C 254	QERF1AM-476Z	E CAPACITOR	47MF 20% 10V			C 860	NCF21CZ-105X	C CAPACITOR		
	C 291	QERF1AM-476Z	E CAPACITOR	47MF 20% 10V			CN151	EMV7171-123R	CONNECTOR		
	C 601	NCB21HK-102X	C CAPACITOR				CN601	QGF1016F1-15	15FFC CONNECTOR		
	C 602	NCB21HK-102X	C CAPACITOR				CN651	QGF1016F1-19	CONNECTOR		
	C 603	NCB21HK-223X	C CAPACITOR				CN652	QGF1016F1-05	CONNECTOR		
	C 604	NCB21HK-223X	C CAPACITOR				CN801	QGA2001C1-06	6P PLUG ASSY		
	C 605	NCS21HJ-271X	C CAPACITOR				CN854	QGB2016K1-07	CONNECTOR		
	C 606	NCS21HJ-221X	C CAPACITOR				CN855	QGG2002M4-10	CONNECTOR		
	C 607	NCB21HK-222X	C CAPACITOR				D 801	DSK10C-T1	DIODE		
	C 608	NCB21HK-223X	C CAPACITOR				IC251	HD6433657A29H	IC		
	C 610	NCB21EK-563X	C CAPACITOR				IC601	AN8806SB-W	IC		
	C 611	NCB21EK-104X	C CAPACITOR				IC651	MN35511	IC		
	C 612	QER41HM-105	E CAPACITOR	1.0MF 20% 50V			IC652	NJM4580E-W	IC		
	C 613	NCS21HJ-101X	C CAPACITOR				IC801	LA6541-X	IC		
	C 614	NCB21HK-273X	C CAPACITOR				IC851	TA8409S	IC		
	C 615	NCB21HK-472X	C CAPACITOR				IC852	TA8409S	IC		
	C 616	NCB21HK-103X	C CAPACITOR				L 851	QQL01BK-100Z	INDUCTOR		
	C 619	NCS21HJ-150X	C CAPACITOR				L 853	QQL01BK-100Z	INDUCTOR		
	C 620	NCS21HJ-470X	C CAPACITOR				L 854	QQL01BK-100Z	INDUCTOR		
	C 621	NCB21EK-104X	C CAPACITOR				Q 291	2SB1357/EF-T	TRANSISTOR		
	C 623	NCF21CZ-105X	C CAPACITOR				Q 631	2SA1037AK/RS/-X	TRANSISTOR		
	C 624	QERF0JM-107Z	E CAPACITOR	100MF 20% 6.3V			Q 632	DTC124EKA-X	TRANSISTOR		
	C 631	QER41CM-106	E CAPACITOR	10MF 20% 16V			R 253	NRSA02J-102X	MG RESISTOR		
	C 632	NCF21CZ-105X	C CAPACITOR				R 254	NRSA02J-102X	MG RESISTOR		
	C 633	NCB21HK-223X	C CAPACITOR				R 255	NRSA02J-102X	MG RESISTOR		
	C 651	NCS21HJ-120X	C CAPACITOR				R 256	NRSA02J-102X	MG RESISTOR		
	C 652	NCS21HJ-120X	C CAPACITOR				R 257	NRSA02J-102X	MG RESISTOR		
	C 653	NCB21EK-104X	C CAPACITOR				R 258	NRSA02J-102X	MG RESISTOR		
	C 655	NCB21EK-104X	C CAPACITOR				R 259	NRSA02J-105X	MG RESISTOR		
	C 656	NCB21EK-104X	C CAPACITOR				R 260	NRSA02J-102X	MG RESISTOR		
	C 657	QER41AM-227	E CAPACITOR	220MF 20% 10V			R 261	NRSA02J-102X	MG RESISTOR		
	C 658	NCB21EK-104X	C CAPACITOR				R 262	NRSA02J-223X	MG RESISTOR		
	C 661	NCS21HJ-471X	C CAPACITOR				R 263	NRSA02J-223X	MG RESISTOR		
	C 663	NCB21HK-223X	C CAPACITOR				R 264	NRSA02J-223X	MG RESISTOR		
	C 664	NCB21HK-223X	C CAPACITOR				R 265	NRSA02J-223X	MG RESISTOR		
	C 665	NCB21CK-154X	C CAPACITOR				R 274	NRSA02J-102X	MG RESISTOR		
	C 667	NCB21CK-474X	C CAPACITOR				R 275	NRSA02J-102X	MG RESISTOR		
	C 669	QER41AM-227	E CAPACITOR	220MF 20% 10V			R 276	NRSA02J-102X	MG RESISTOR		
	C 673	QER41AM-227	E CAPACITOR	220MF 20% 10V			R 277	NRSA02J-102X	MG RESISTOR		
	C 676	NCB21EK-104X	C CAPACITOR				R 278	NRSA02J-102X	MG RESISTOR		
	C 677	NCB21EK-104X	C CAPACITOR				R 282	NRSA02J-102X	MG RESISTOR		
	C 679	QERF0JM-107Z	E CAPACITOR	100MF 20% 6.3V			R 284	NRSA02J-102X	MG RESISTOR		
	C 680	NCB21EK-104X	C CAPACITOR				R 288	NRSA02J-102X	MG RESISTOR		
	C 691	NCS21HJ-391X	C CAPACITOR				R 289	NRSA02J-102X	MG RESISTOR		
	C 692	NCS21HJ-391X	C CAPACITOR				R 290	NRSA02J-102X	MG RESISTOR		
	C 693	NCB21HK-682X	C CAPACITOR				R 291	NRSA02J-122X	MG RESISTOR		
	C 694	NCB21HK-682X	C CAPACITOR				R 292	NRSA02J-103X	MG RESISTOR		
	C 695	NCB21HK-473X	C CAPACITOR				R 293	NRSA02J-102X	MG RESISTOR		
	C 696	QER41CM-106	E CAPACITOR	10MF 20% 16V			R 294	NRSA02J-102X	MG RESISTOR		
	C 699	QER41AM-227	E CAPACITOR	220MF 20% 10V			R 601	NRSA02J-164X	MG RESISTOR		
	C 801	NCB21HK-153X	C CAPACITOR				R 602	NRSA02J-913X	MG RESISTOR		
	C 802	NCB21HK-472X	C CAPACITOR				R 603	NRSA02J-273X	MG RESISTOR		
	C 811	NCS21HJ-391X	C CAPACITOR				R 604	NRSA02J-913X	MG RESISTOR		
	C 812	NCS21HJ-391X	C CAPACITOR				R 605	NRSA02J-154X	MG RESISTOR		
	C 813	NCS21HJ-391X	C CAPACITOR				R 606	NRSA02J-394X	MG RESISTOR		
	C 814	NCS21HJ-391X	C CAPACITOR				R 611	NRSA02J-562X	MG RESISTOR		
	C 815	QEQF1HM-105Z	NP E CAPACITOR	1.0MF 20% 50V			R 612	NRSA02J-125X	MG RESISTOR		
	C 816	QEQF1HM-225Z	E CAPACITOR	2.2MF 20% 50V			R 613	NRSA02J-562X	MG RESISTOR		
	C 821	NCF21CZ-105X	C CAPACITOR				R 614	NRSA02J-155X	MG RESISTOR		
	C 822	QER41AM-227	E CAPACITOR	220MF 20% 10V			R 615	NRSA02J-222X	MG RESISTOR		
	C 852	QER41CM-106	E CAPACITOR	10MF 20% 16V			R 616	NRSA02J-472X	MG RESISTOR		
	C 855	NCB21EK-104X	C CAPACITOR				R 617	NRSA02J-752X	MG RESISTOR		

■ Electrical parts list (CD servo control board)

Block No. 05

△	Item	Parts number	Parts name	Remarks	Area
	R 631	NRSA02J-2R2X	MG RESISTOR		
	R 632	NRSA02J-100X	MG RESISTOR		
	R 634	NRSA02J-120X	MG RESISTOR		
	R 635	NRSA02J-121X	MG RESISTOR		
	R 636	NRSA02J-910X	MG RESISTOR		
	R 651	NRSA02J-102X	MG RESISTOR		
	R 652	NRSA02J-102X	MG RESISTOR		
	R 653	NRSA02J-102X	MG RESISTOR		
	R 654	NRSA02J-101X	MG RESISTOR		
	R 655	NRSA02J-102X	MG RESISTOR		
	R 656	NRSA02J-102X	MG RESISTOR		
	R 657	NRSA02J-102X	MG RESISTOR		
	R 658	NRSA02J-102X	MG RESISTOR		
	R 659	NRSA02J-102X	MG RESISTOR		
	R 660	NRSA02J-102X	MG RESISTOR		
	R 661	NRSA02J-102X	MG RESISTOR		
	R 662	NRSA02J-683X	MG RESISTOR		
	R 663	NRSA02J-124X	MG RESISTOR		
	R 664	NRSA02J-331X	MG RESISTOR		
	R 665	NRSA02J-271X	MG RESISTOR		
	R 666	NRSA02J-221X	MG RESISTOR		
	R 667	NRSA02J-4R7X	MG RESISTOR		
	R 669	NRSA02J-562X	MG RESISTOR		
	R 670	NRSA02J-101X	MG RESISTOR		
	R 671	NRSA02J-101X	MG RESISTOR		
	R 672	NRSA02J-101X	MG RESISTOR		
	R 673	NRSA02J-101X	MG RESISTOR		
	R 674	NRSA02J-101X	MG RESISTOR		
	R 675	NRSA02J-101X	MG RESISTOR		
	R 676	NRSA02J-101X	MG RESISTOR		
	R 677	NRSA02J-102X	MG RESISTOR		
	R 678	NRSA02J-102X	MG RESISTOR		
	R 679	NRSA02J-680X	MG RESISTOR		
	R 682	NRSA02J-102X	MG RESISTOR		
	R 683	NRSA02J-105X	MG RESISTOR		
	R 685	NRSA02J-683X	MG RESISTOR		
	R 686	NRSA02J-102X	MG RESISTOR		
	R 687	NRSA02J-102X	MG RESISTOR		
	R 688	NRSA02J-102X	MG RESISTOR		
	R 691	NRSA02J-183X	MG RESISTOR		
	R 692	NRSA02J-183X	MG RESISTOR		
	R 693	NRSA02J-183X	MG RESISTOR		
	R 694	NRSA02J-183X	MG RESISTOR		
	R 695	NRSA02J-243X	MG RESISTOR		
	R 696	NRSA02J-243X	MG RESISTOR		
	R 697	NRSA02J-243X	MG RESISTOR		
	R 698	NRSA02J-243X	MG RESISTOR		
	R 701	NRSA02J-821X	MG RESISTOR		
	R 702	NRSA02J-821X	MG RESISTOR		
	R 703	NRSA02J-103X	MG RESISTOR		
	R 704	NRSA02J-103X	MG RESISTOR		
	R 705	NRSA02J-562X	MG RESISTOR		
	R 706	NRSA02J-202X	MG RESISTOR		
	R 707	NRSA02J-682X	MG RESISTOR		
	R 708	NRSA02J-101X	MG RESISTOR		
	R 709	NRSA02J-101X	MG RESISTOR		
	R 710	NRSA02J-221X	MG RESISTOR		
	R 801	NRSA02J-272X	MG RESISTOR		
	R 802	NRSA02J-392X	MG RESISTOR		
	R 803	NRSA02J-912X	MG RESISTOR		
	R 804	NRSA02J-224X	MG RESISTOR		
	R 805	NRSA02J-133X	MG RESISTOR		
	R 806	NRSA02J-243X	MG RESISTOR		

△	Item	Parts number	Parts name	Remarks	Area
	R 807	NRSA02J-122X	MG RESISTOR		
	R 808	NRSA02J-273X	MG RESISTOR		
	R 809	NRSA02J-122X	MG RESISTOR		
	R 811	NRSA02J-473X	MG RESISTOR		
	R 812	NRSA02J-332X	MG RESISTOR		
	R 813	NRSA02J-152X	MG RESISTOR		
	R 831	NRSA02J-151X	MG RESISTOR		
	R 832	NRSA02J-103X	MG RESISTOR		
	R 842	NRSA02J-472X	MG RESISTOR		
	R 851	NRSA02J-102X	MG RESISTOR		
	R 852	NRSA02J-102X	MG RESISTOR		
	R 853	NRSA02J-102X	MG RESISTOR		
	R 854	NRSA02J-102X	MG RESISTOR		
	R 855	NRSA02J-102X	MG RESISTOR		
	R 856	NRSA02J-102X	MG RESISTOR		
	R 857	NRSA02J-272X	MG RESISTOR		
	R 859	NRSA02J-181X	MG RESISTOR		
	R 861	NRSA02J-102X	MG RESISTOR		
	R 862	NRSA02J-102X	MG RESISTOR		
	R 863	NRSA02J-102X	MG RESISTOR		
	R 864	NRSA02J-102X	MG RESISTOR		
	R 865	NRSA02J-102X	MG RESISTOR		
	R 866	NRSA02J-102X	MG RESISTOR		
	R 871	NRSA02J-223X	MG RESISTOR		
	R 872	NRSA02J-223X	MG RESISTOR		
	R 873	NRSA02J-223X	MG RESISTOR		
	R 874	NRSA02J-223X	MG RESISTOR		
	R 875	NRSA02J-223X	MG RESISTOR		
	R 876	NRSA02J-223X	MG RESISTOR		
	R 880	NRSA02J-102X	MG RESISTOR		
	R 881	NRSA02J-102X	MG RESISTOR		
	R 882	NRSA02J-102X	MG RESISTOR		
	R 883	NRSA02J-102X	MG RESISTOR		
	R 884	NRSA02J-102X	MG RESISTOR		
	R 885	NRSA02J-102X	MG RESISTOR		
	R 886	NRSA02J-102X	MG RESISTOR		
	R 887	NRSA02J-102X	MG RESISTOR		
	R 888	NRSA02J-223X	MG RESISTOR		
	R 889	NRSA02J-223X	MG RESISTOR		
	R 890	NRSA02J-223X	MG RESISTOR		
	R 891	NRSA02J-223X	MG RESISTOR		
	R 892	NRSA02J-223X	MG RESISTOR		
	R 893	NRSA02J-223X	MG RESISTOR		
	R 894	NRSA02J-223X	MG RESISTOR		
	R 895	NRSA02J-223X	MG RESISTOR		
	W 601	QUB220-07HPDT	SIN TWIST WIRE		
	X 251	QAX0246-001Z	RESONATOR		
	X 651	QAX0413-001Z	CRYSTAL		

■ Electrical parts list

(CD changer mechanism switch board)

Block No. 06

△	Item	Parts number	Parts name	Remarks	Area
	CN804	QGB2016J1-07	CONNECTOR		
	SW 1	QSW0859-001	LEVER SWITCH		
	SW 2	QSW0859-001	LEVER SWITCH		
	SW 3	QSW0859-001	LEVER SWITCH		
	SW 4	QSW0859-001	LEVER SWITCH		
	SW 5	QSW0859-001	LEVER SWITCH		
	SW 6	QSW0859-001	LEVER SWITCH		

■ Electrical parts list
(Cassette mechanism control board)

Block No. 07

△	Item	Parts number	Parts name	Remarks	Area	△	Item	Parts number	Parts name	Remarks	Area
	C 101	NCS21HJ-561X	C CAPACITOR				C 339	QEK41CM-476	E CAPACITOR	47MF 20% 16V	
	C 102	NCS21HJ-331X	C CAPACITOR				C 340	NCB21HK-103X	C CAPACITOR		
	C 103	NCS21HJ-561X	C CAPACITOR				C 341	QEK41AM-107Z	E CAPACITOR	100MF 20% 10V	
	C 104	NCS21HJ-221X	C CAPACITOR				C 342	QEK41EM-475	E CAPACITOR	4.7MF 20% 25V	
	C 105	QEK40JM-227	E CAPACITOR	220MF 20% 6.3V			C 343	QET41CM-106	E CAPACITOR	10MF 20% 16V	
	C 106	NCB21HK-333X	C CAPACITOR				C 344	NCB21HK-472X	C CAPACITOR		
	C 107	QEK41EM-475	E CAPACITOR	4.7MF 20% 25V			C 345	NCS21HJ-331X	C CAPACITOR		
	C 108	NCB21HK-393X	C CAPACITOR				C 350	QFLM1HJ-102Z	M CAPACITOR	1000PF 5% 50V	
	C 110	NCS21HJ-221X	C CAPACITOR				CN301	QGF1205F1-06	CONNECTOR		
	C 111	QEK41HM-104	E CAPACITOR	.10MF 20% 50V			CN302	QGF1205F1-06	CONNECTOR		
	C 112	QEK41CM-106	E CAPACITOR	10MF 20% 16V			CN303	QGB2011M1-10	B TO B CONNECTO		
	C 113	NCB21HK-332X	C CAPACITOR				CN304	QGB2011M1-10	B TO B CONNECTO		
	C 114	QEK41EM-475	E CAPACITOR	4.7MF 20% 25V			CN305	QGF1205F1-10	CONNECTOR		
	C 115	NCB21HK-153X	C CAPACITOR				CN306	QGF1205F1-11	CONNECTOR		
	C 116	NCB21HK-822X	C CAPACITOR				D 307	HZM5.1NB2-X	CHIP Z DIODE CM		
	C 117	NCB21HK-223X	C CAPACITOR				D 308	HZM5.1NB2-X	CHIP Z DIODE CM		
	C 119	NCB21HK-563X	C CAPACITOR				D 309	MA704A-X	S.K.DIODE		
	C 120	NCS21HJ-330X	C CAPACITOR				IC301	BA3126N	IC		
	C 201	NCS21HJ-561X	C CAPACITOR				IC302	AN7345K	IC		
	C 202	NCS21HJ-331X	C CAPACITOR				IC303	BU4094BCF-X	IC		
	C 203	NCS21HJ-561X	C CAPACITOR				IC304	BU4094BCF-X	IC		
	C 204	NCS21HJ-221X	C CAPACITOR				L 202	QQR0779-001Z	INDUCTOR		
	C 205	QEK40JM-227	E CAPACITOR	220MF 20% 6.3V			L 301	QQR0620-001	OSC COIL(BIAS)		
	C 206	NCB21HK-333X	C CAPACITOR				L 303	QQL01BK-100Z	INDUCTOR		
	C 207	QEK41EM-475	E CAPACITOR	4.7MF 20% 25V			Q 102	DTC144TKA-X	TRANSISTOR		
	C 208	NCB21HK-393X	C CAPACITOR				Q 103	DTC144EKA-X	TRANSISTOR		
	C 210	NCS21HJ-221X	C CAPACITOR				Q 105	2SC3576-JVC-T	TRANSISTOR		
	C 211	QEK41HM-104	E CAPACITOR	.10MF 20% 50V			Q 202	DTC144TKA-X	TRANSISTOR		
	C 212	QEK41CM-106	E CAPACITOR	10MF 20% 16V			Q 203	DTC144EKA-X	TRANSISTOR		
	C 213	NCB21HK-332X	C CAPACITOR				Q 205	2SC3576-JVC-T	TRANSISTOR		
	C 214	QEK41EM-475	E CAPACITOR	4.7MF 20% 25V			Q 302	2SC2001/K/-T	TRANSISTOR		
	C 215	NCB21HK-153X	C CAPACITOR				Q 303	2SC2001/K/-T	TRANSISTOR		
	C 216	NCB21HK-822X	C CAPACITOR				Q 304	2SC3576-JVC-T	TRANSISTOR		
	C 217	NCB21HK-223X	C CAPACITOR				Q 305	2SC3576-JVC-T	TRANSISTOR		
	C 219	NCB21HK-563X	C CAPACITOR				Q 306	2SC2412K/RS/-X	CHIP TRANSISTOR		
	C 220	NCS21HJ-330X	C CAPACITOR				Q 307	2SC2412K/RS/-X	CHIP TRANSISTOR		
	C 301	QEK41CM-106	E CAPACITOR	10MF 20% 16V			Q 308	2SC2412K/RS/-X	CHIP TRANSISTOR		
	C 302	QEK41CM-476	E CAPACITOR	47MF 20% 16V			Q 309	2SC2412K/RS/-X	CHIP TRANSISTOR		
	C 303	QEK41CM-226	E CAPACITOR	22MF 20% 16V			Q 312	2SB562/C/-T	TRANSISTOR		
	C 304	QEK41EM-475	E CAPACITOR	4.7MF 20% 25V			Q 313	2SC2412K/RS/-X	CHIP TRANSISTOR		
	C 305	NCB21HK-393X	C CAPACITOR				Q 314	2SB562/C/-T	TRANSISTOR		
	C 306	QEK40JM-227	E CAPACITOR	220MF 20% 6.3V			Q 315	2SC2412K/RS/-X	CHIP TRANSISTOR		
	C 308	NCB21HK-562X	C CAPACITOR				Q 316	2SA952/LK/-T	TRANSISTOR		
	C 309	NCB21HK-562X	C CAPACITOR				Q 317	DTC124EKA-X	TRANSISTOR		
	C 310	NCB21HK-223X	C CAPACITOR				Q 321	DTC144EKA-X	TRANSISTOR		
	C 311	NCB21HK-682X	C CAPACITOR				Q 322	DTC144EKA-X	TRANSISTOR		
	C 313	QEK41AM-107Z	E CAPACITOR	100MF 20% 10V			Q 323	2SC2412K/RS/-X	CHIP TRANSISTOR		
	C 314	QCZ0205-155Z	ML C CAPACITOR	1.5MF			R 102	NRSA02J-102X	MG RESISTOR		
	C 315	QCZ0205-155Z	ML C CAPACITOR	1.5MF			R 103	NRSA02J-183X	MG RESISTOR		
	C 316	QFG32AJ-103Z	PP CAPACITOR	.010MF 5% 100V			R 105	NRSA02J-220X	MG RESISTOR		
	C 318	NCB21HK-103X	C CAPACITOR				R 106	NRSA02J-392X	MG RESISTOR		
	C 319	QFG32AJ-821Z	TF CAPACITOR	820PF 5% 100V			R 107	NRSA02J-123X	MG RESISTOR		
	C 321	NCB21HK-103X	C CAPACITOR				R 108	NRSA02J-222X	MG RESISTOR		
	C 322	QFG32AJ-152Z	M CAPACITOR	1500PF 5% 100V			R 109	NRSA02J-152X	MG RESISTOR		
	C 327	QEK41CM-476	E CAPACITOR	47MF 20% 16V			R 111	NRSA02J-562X	MG RESISTOR		
	C 328	NCS21HJ-151X	C CAPACITOR				R 112	NRSA02J-122X	MG RESISTOR		
	C 329	NCS21HJ-151X	C CAPACITOR				R 113	NRSA02J-271X	MG RESISTOR		
	C 330	NCS21HJ-151X	C CAPACITOR				R 114	NRSA02J-391X	MG RESISTOR		
	C 332	NCS21HJ-151X	C CAPACITOR				R 115	NRSA02J-332X	MG RESISTOR		
	C 335	NCB21HK-103X	C CAPACITOR				R 117	NRSA02J-332X	MG RESISTOR		
	C 336	NCB21HK-103X	C CAPACITOR				R 118	NRSA02J-152X	MG RESISTOR		
	C 337	NCB21HK-103X	C CAPACITOR				R 119	NRSA02J-203X	MG RESISTOR		
	C 338	NCB21HK-103X	C CAPACITOR				R 120	NRSA02J-102X	MG RESISTOR		

■ Electrical parts list
(Cassette mechanism control board)

Block No. 07

△	Item	Parts number	Parts name	Remarks	Area
	R 121	NRSA02J-122X	MG RESISTOR		
	R 202	NRSA02J-102X	MG RESISTOR		
	R 203	NRSA02J-183X	MG RESISTOR		
	R 205	NRSA02J-220X	MG RESISTOR		
	R 206	NRSA02J-392X	MG RESISTOR		
	R 207	NRSA02J-123X	MG RESISTOR		
	R 208	NRSA02J-222X	MG RESISTOR		
	R 209	NRSA02J-152X	MG RESISTOR		
	R 211	NRSA02J-562X	MG RESISTOR		
	R 212	NRSA02J-122X	MG RESISTOR		
	R 213	NRSA02J-271X	MG RESISTOR		
	R 214	NRSA02J-391X	MG RESISTOR		
	R 215	NRSA02J-332X	MG RESISTOR		
	R 217	NRSA02J-332X	MG RESISTOR		
	R 218	NRSA02J-152X	MG RESISTOR		
	R 219	NRSA02J-203X	MG RESISTOR		
	R 220	NRSA02J-102X	MG RESISTOR		
	R 221	NRSA02J-122X	MG RESISTOR		
	R 301	NRS181J-221X	MG RESISTOR		
	R 302	NRS181J-101X	MG RESISTOR		
	R 304	NRSA02J-393X	MG RESISTOR		
	R 305	NRSA02J-103X	MG RESISTOR		
	R 306	NRSA02J-103X	MG RESISTOR		
	R 307	NRSA02J-103X	MG RESISTOR		
	R 308	NRSA02J-152X	MG RESISTOR		
	R 309	NRSA02J-152X	MG RESISTOR		
	R 310	NRS181J-820X	MG RESISTOR		
	R 311	NRS181J-820X	MG RESISTOR		
	R 313	NRSA02J-3R3X	MG RESISTOR		
	R 314	NRSA02J-223X	MG RESISTOR		
	R 315	NRSA02J-100X	MG RESISTOR		
	R 316	NRSA02J-223X	MG RESISTOR		
	R 317	NRSA02J-100X	MG RESISTOR		
	R 318	NRSA02J-123X	MG RESISTOR		
	R 319	NRSA02J-152X	MG RESISTOR		
	R 321	NRSA02J-123X	MG RESISTOR		
	R 322	NRSA02J-152X	MG RESISTOR		
	R 327	NRSA02J-474X	MG RESISTOR		
	R 328	NRSA02J-222X	MG RESISTOR		
	R 329	NRSA02J-222X	MG RESISTOR		
	R 330	NRSA02J-0R0X	MG RESISTOR		
	R 335	NRSA02J-222X	MG RESISTOR		
	R 336	NRSA02J-392X	MG RESISTOR		
	R 338	NRSA02J-222X	MG RESISTOR		
	R 339	NRSA02J-222X	MG RESISTOR		
	R 341	NRSA02J-222X	MG RESISTOR		
	R 343	NRSA02J-0R0X	MG RESISTOR		
	R 345	NRSA02J-222X	MG RESISTOR		
	R 346	NRSA02J-0R0X	MG RESISTOR		
	R 347	NRSA02J-392X	MG RESISTOR		
	R 348	NRSA02J-222X	MG RESISTOR		
	R 350	NRSA02J-472X	MG RESISTOR		
	R 351	NRSA02J-151X	MG RESISTOR		
	R 353	NRSA02J-472X	MG RESISTOR		
	R 354	NRSA02J-151X	MG RESISTOR		
	R 355	NRSA02J-332X	MG RESISTOR		
	R 357	NRSA02J-103X	MG RESISTOR		
	R 358	NRSA02J-222X	MG RESISTOR		
	R 359	NRSA02J-123X	MG RESISTOR		
	R 360	NRSA02J-433X	MG RESISTOR		
	R 361	NRSA02J-183X	MG RESISTOR		
	R 362	NRSA02J-123X	MG RESISTOR		
	R 363	NRSA02J-183X	MG RESISTOR		

△	Item	Parts number	Parts name	Remarks	Area
	R 364	NRSA02J-433X	MG RESISTOR		
	R 365	NRSA02J-203X	MG RESISTOR		
	R 366	NRSA02J-123X	MG RESISTOR		
	R 367	NRSA02J-102X	MG RESISTOR		
	R 368	NRSA02J-391X	MG RESISTOR		
	R 369	NRSA02J-391X	MG RESISTOR		
	R 371	NRS181J-222X	MG RESISTOR		
	R 374	NRSA02J-912X	MG RESISTOR		
	R 375	NRSA02J-683X	MG RESISTOR		
	R 376	NRS181J-6R8X	MG RESISTOR		
	VR101	QVP0008-503Z	SEMI V RESISTOR		
	VR201	QVP0008-503Z	SEMI V RESISTOR		
	VR301	QVP0008-103Z	SEMI V RESISTOR		
	WIRE	EWR34D-10CS	FLAT WIRE		

■ Electrical parts list (Cassette mechanism switch board) Block No. 08

△	Item	Parts number	Parts name	Remarks	Area
	CN 1	QGB2011L1-10	B TO B CONNECTO		
	D 1	1SR139-400-T2	SI DIODE		
	IC 1	SG-105F3-BB,C	PHOTO SENSOR		
	P 1	QNZ0104-001	POST PIN		
	SW 2	QSW0832-001	LEAF SWITCH	TAPE	
	SW 4	QSW0832-001	LEAF SWITCH	70U	
	SW 6	QSW0507-001	SWITCH		

■ Electrical parts list (Cassette mechanism switch board) Block No. 09

△	Item	Parts number	Parts name	Remarks	Area
	CN 1	QGB2011L1-10	B TO B CONNECTO		
	D 1	1SR139-400-T2	SI DIODE		
	IC 1	SG-105F3-BB,C	PHOTO SENSOR		
	P 1	QNZ0104-001	POST PIN		
	SW 1	QSW0832-001	LEAF SWITCH	R.REC	
	SW 2	QSW0832-001	LEAF SWITCH	TAPE	
	SW 4	QSW0832-001	LEAF SWITCH	70U	
	SW 5	QSW0832-001	LEAF SWITCH	F.REC	
	SW 6	QSW0507-001	SWITCH		

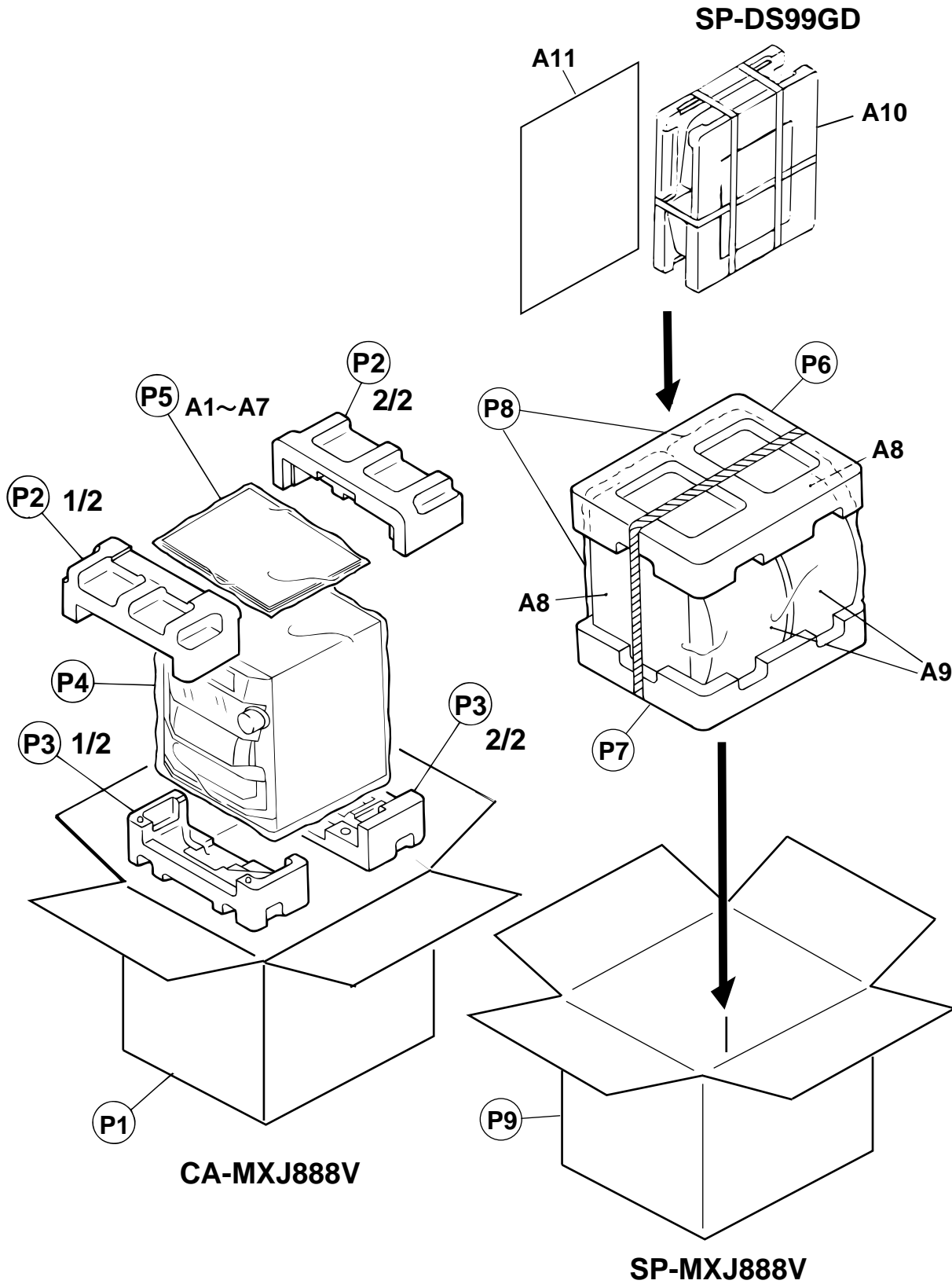
Packing materials and accessories parts list

Block No.

M	5	M	M
---	---	---	---

Block No.

M	6	M	M
---	---	---	---



Parts list (Packing)

Block No. M5MM

△	Item	Parts number	Parts name	Q'ty	Description	Area
	P 1	GV20071-001A	PACKING CASE	1	CA-MXJ888V	
	P 2	GV10018-002A	CUSHION UPPER	1	CA-MXJ888V	
	P 3	GV10019-002A	CUSHION BOTTM	1	CA-MXJ888V	
	P 4	QPC06506515P	POLY BAG	1	CA-MXJ888V	
	P 5	QPC02503515P	POLY BAG	1	CA-MXJ888V	
	P 6	720-TSPJ55-00	CUSHION UPPER	1	SP-MXJ888V	
	P 7	720-BSPJ55-00	CUSHION BOTTM	1	SP-MXJ888V	
	P 8	700-120034-20	POLY BAG	2	SP-MXJ888V	
	P 9	730-00J888-10	PACKING CASE	1	SP-MXJ888V	

Parts list (Accessories)

Block No. M6MM

△	Item	Parts number	Parts name	Q'ty	Description	Area
	A 1	GVT0044-003A	INST.BOOK(CA-MXJ888V)	1	ENG,CHI	
	A 2	QAL0014-001	AM LOOP ANT	1		
	A 3	EWP201-011	B.IN ANT	1		
	A 4	QAM0112-001	AC PLUG ADAPTER	1		
	A 5	QAM0216-001	SIGNAL CORD	1		
	A 6	RM-SMXJ777V	REMOCON	1		
	A 7	-----	BATTERY	1		
	A 8	MXJ888K-SPBOX-R	SPEAKER BOX(R)	1	SP-MXJ888V	
		MXJ888K-SPBOX-L	SPEAKER BOX(L)	1	SP-MXJ888V	
	A 9	201-R0J888-10	SPEAKER NET(R)	1	SP-MXJ888V	
		201-L0J888-10	SPEAKER NET(L)	1	SP-MXJ888V	
	A 10	SP-DSC99GD	SP BOX(CENTER)	1	SP-DS99GD	
		SP-DSS99GD	SP BOX(SIDE)	2	SP-DS99GD	
	A 11	GVT0043-001A	INST.BOOK(SP-MXJ888V)	1	ENG,SPA,POR,CHI,ARA	

JVC

VICTOR COMPANY OF JAPAN, LIMITED
AUDIO & COMMUNICATION BUSINESS DIVISION
PERSONAL & MOBILE NETWORK B.U. 10-1,1Chome,Ohwatari-machi,Maebashi-city,371-8543,Japan